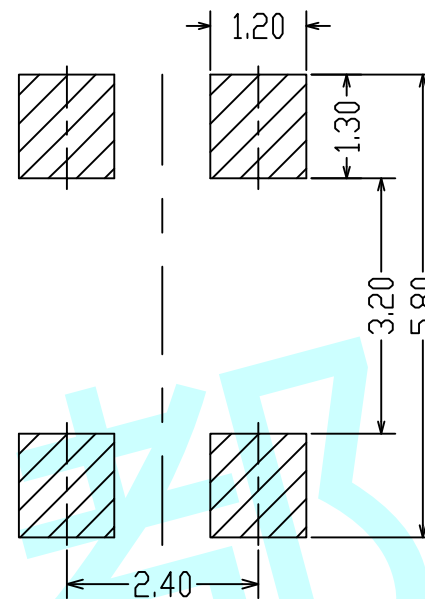
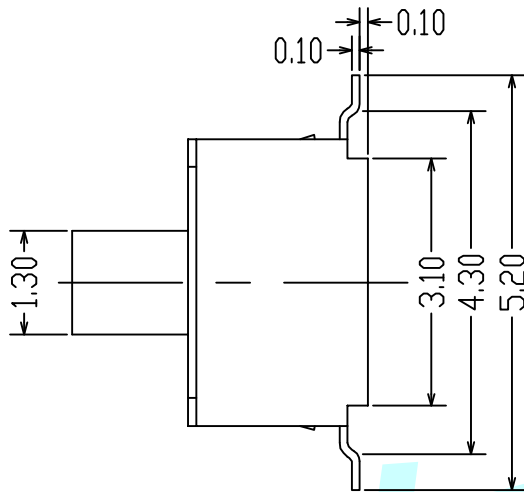
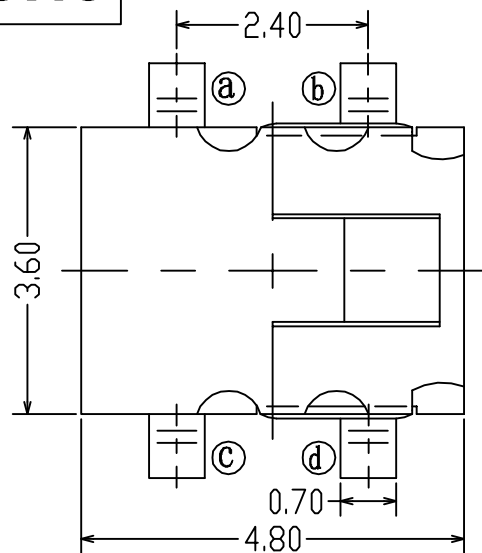
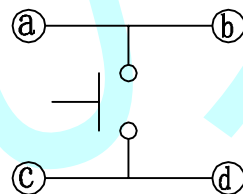
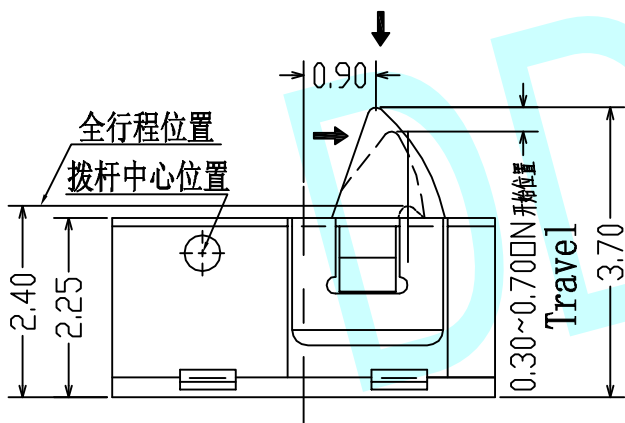


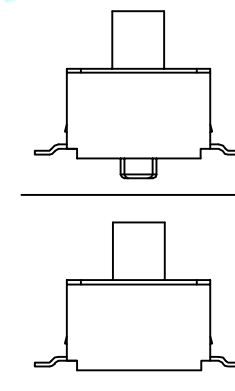
ROHS



PCB Layout (Pattern Side)




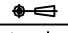
Circuit Diagram



PART NO.

NOTES:

1. Rating: DC 30V 0.1A
2. Operating Force: 30 ± 10 gf
3. Life time: 100,000 Cycles

APPROVALS		DATE	http://www.dongdudz.com		 东都电子 DONGDU ELECTRONICS	
DRAW:	ZRD	2017-12-6	TOLERANCE:	ANGLE:		
CHECKED:	***	****	30 \geq	± 0.30		$\pm 2^\circ$
APPOVALS:	***	****	10 \sim 30	± 0.20		
			5 \sim 10	± 0.15		
			≤ 5	± 0.10		
MODEL:	DETECTOR SWITCHS					
PART NO:	DDU-1660					
UNIT :mm	SCALE: 1:1					
REV:	A	PAGE: 1/2				