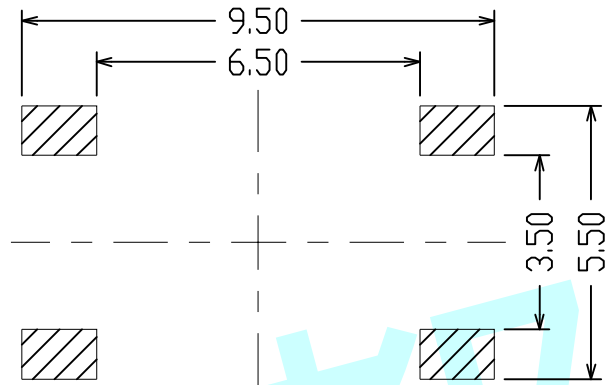
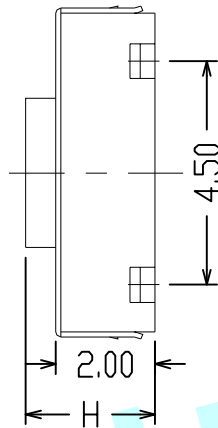
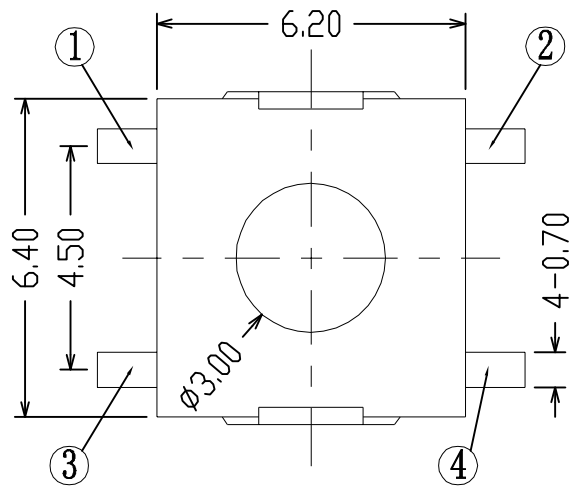
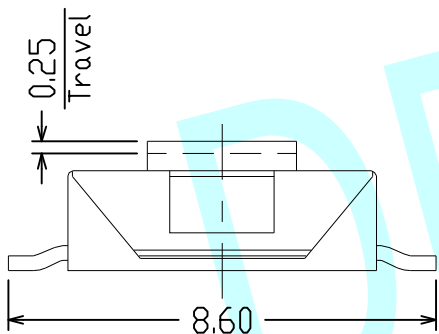


ROHS

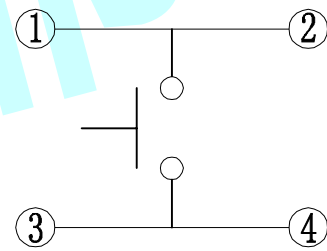


PCB Layout (Pattern Side)



NOTES:

1. Rate voltage. current: 50mA DC 12V
2. Contact resistance: $\leq 100m\Omega$
3. Travel: $0.25 \pm 0.05mm$
4. Insulated resistance: $\geq 100M\Omega$
5. Dielectric strength: $\geq 250V AC/1min$
6. Endurance: 100, 000 cycles



Circuit Diagram

H	2.50	2.70	3.10	3.40	3.70	4.00	4.30	4.50	4.80	5.00	5.20	5.50
Stergth	90±30		130±30		180±30		250±30		350±50			
APPROVALS			DATE		http://www.dongdudz.com							
DRAW:	ZRD	2017-12-6		TOLERANCE:		ANGLE:						
CHECKED:	***	****		30°	±0.30	±2°						
APPOVALS:	***	****		10°30	±0.20							
				5°10	±0.15							
				≤5	±0.10	MODEL:		TACT SWITCHES				
						PART NO:		DDU-1166				
						UNIT :mm		SCALE: 1:1		PAGE: 1/1		
						REV:		A				



MODEL: TACT SWITCHES
 PART NO: DDU-1166
 UNIT :mm SCALE: 1:1
 REV: A PAGE: 1/1