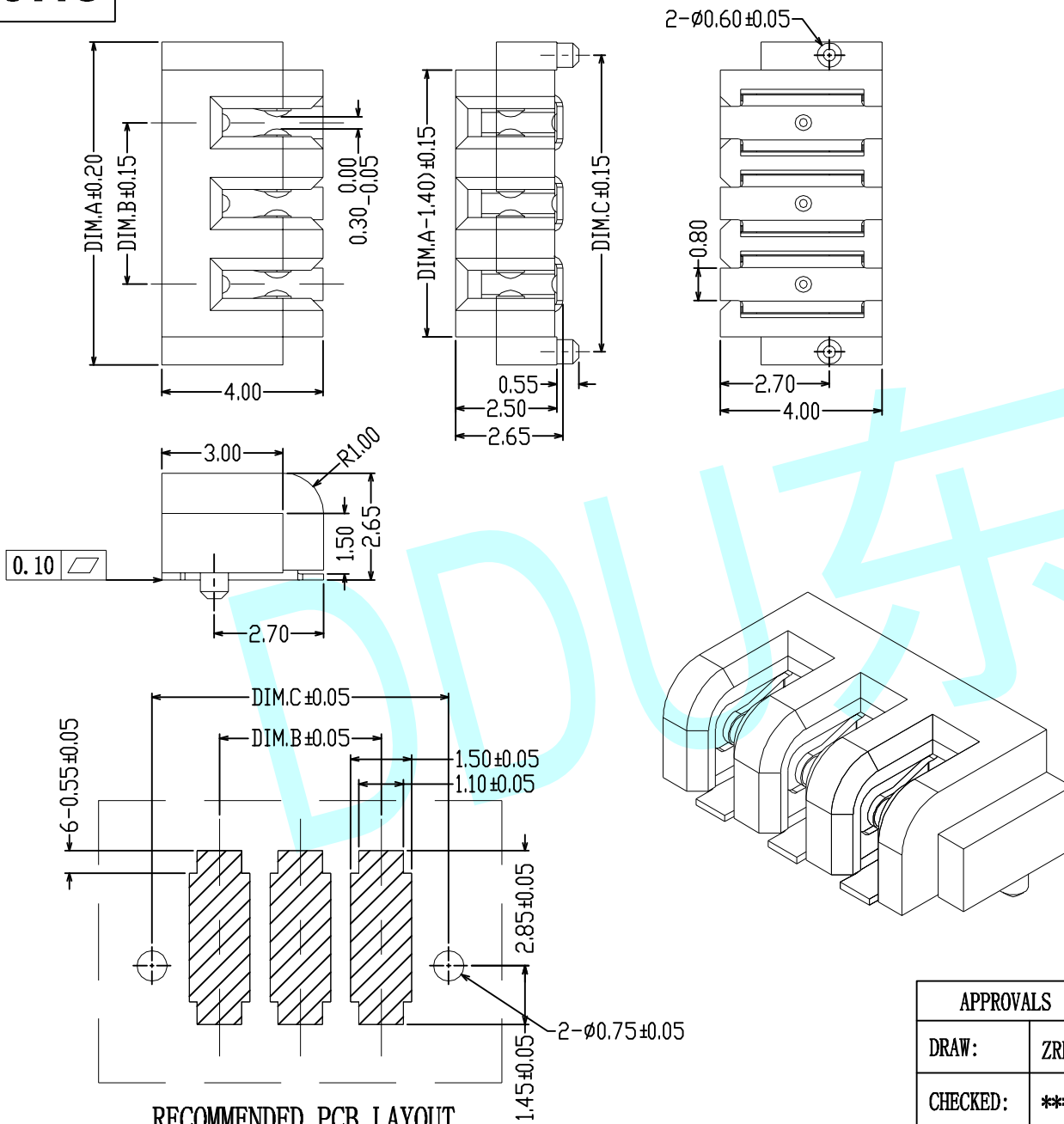


# ROHS




**NOTES;**

1. 额定电压: AC/DC 30V max
2. 绝缘耐压: AC 1000V 1MINUTE无损伤
3. 绝缘电阻: DC 500V 1MINUTE, 1000MΩ min
4. 材质: 塑胶LCP130I, 五金件C9191-H镀金
5. 操作温度: -20℃~+80℃

Pin	DIM. A	DIM. B	DIM. C
10P	22.00	18.00	21.35
9P	20.00	16.00	19.35
8P	18.00	14.00	17.35
7P	16.00	12.00	15.35
6P	14.00	10.00	13.35
5P	12.00	8.00	11.35
4P	10.00	6.00	9.38
3P	8.00	4.00	7.35
2P	6.00	2.00	5.35
Pin	DIM. A	DIM. B	DIM. C

APPROVALS		DATE	http://www.dongdudz.com	
DRAW:	ZRD	2017-12-6	TOLERANCE:	ANGLE:
CHECKED:	***	****	30° ≥ ±0.30	±2°
APPOVALS:	***	****	10°~30 ±0.20	
			5°~10 ±0.15	
			≤5 ±0.10	

 <b>东都电子</b>	
DONGDU ELECTRONICS	
MODEL:	BATTERY
PART NO:	DDU-3P-2.0-M
UNIT :mm	SCALE: 1:1
REV:	A

**RECOMMENDED PCB LAYOUT**

MODEL:	BATTERY
PART NO:	DDU-3P-2.0-M
UNIT :mm	SCALE: 1:1
REV:	A