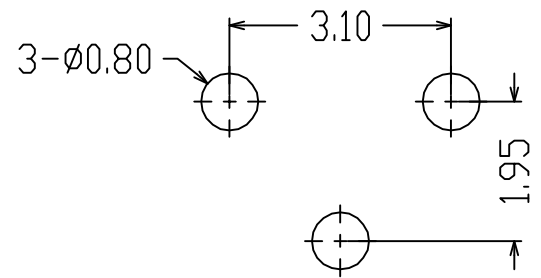
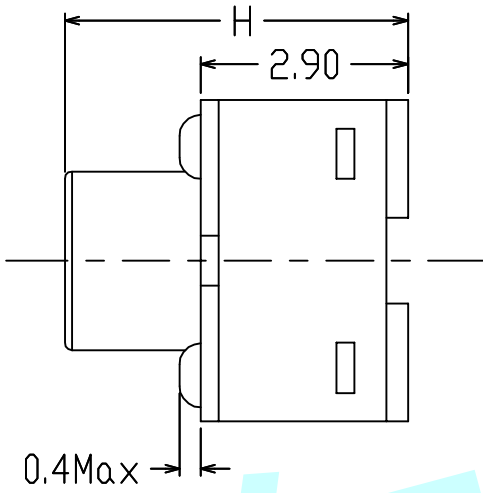
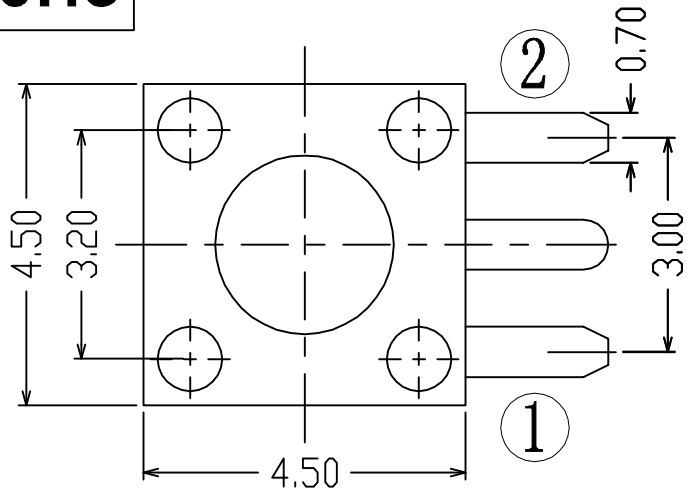
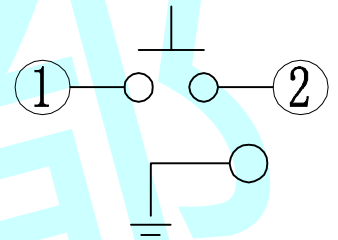


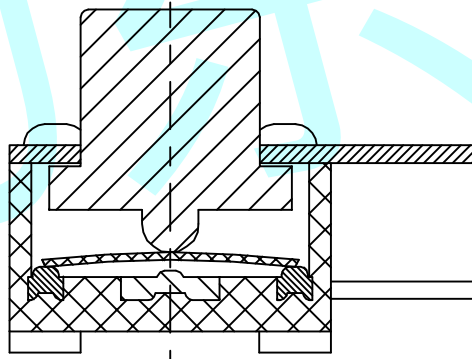
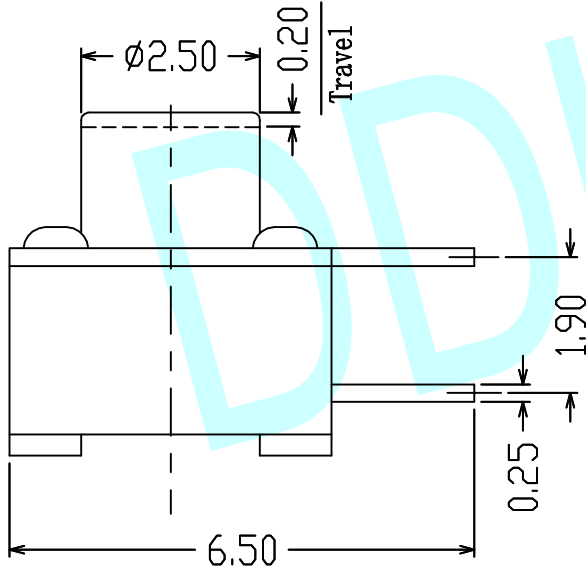
ROHS



PCB Layout (Pattern Side)




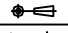
Circuit Diagram



NOTES:

1. Rate voltage. current: 50mA DC 12V
2. Contact resistance: $\leq 100m\Omega$
3. Travel: $0.20 \pm 0.05mm$
4. Insulated resistance: $\geq 100M\Omega$
5. Dielectric strength: $\geq 250V AC/1min$
6. Endurance: 100, 000 cycles

| | | | | | | | | | | | | |
|---------|-------|-----|--------|-----|--------|-----|--------|-----|--------|-----|-----|-----|
| H | 3.8 | 4.3 | 4.8 | 5.0 | 5.5 | 6.0 | 6.5 | 7.0 | 7.5 | 8.0 | 8.5 | 9.0 |
| Stergth | 90±30 | | 130±30 | | 180±30 | | 250±30 | | 350±30 | | | |

| | | | | | | | | |
|-----------|-----|-----------|--|-------------------------|-------|----------|---|---|
| APPROVALS | | DATE | | http://www.dongdudz.com | | |  东都电子 DONGDU ELECTRONICS | |
| DRAW: | ZRD | 2017-12-6 | | TOLERANCE: | | ANGLE: | | |
| CHECKED: | *** | **** | | 30° | ±0.30 | ±2° | | |
| APPOVALS: | *** | **** | | 10°30' | ±0.20 | | | |
| | | | | 5°10' | ±0.15 | | | |
| | | | | ≤5 | ±0.10 | MODEL: | TACT SWITCHES | |
| | | | | | | PART NO: | DDU-1184E | |
| | | | | | | UNIT :mm | SCALE: 1:1 |  |
| | | | | | | REV: | A | PAGE: 1/1 |