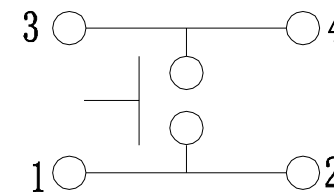
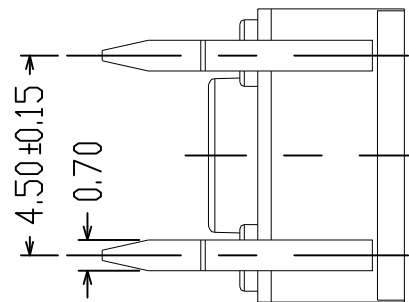
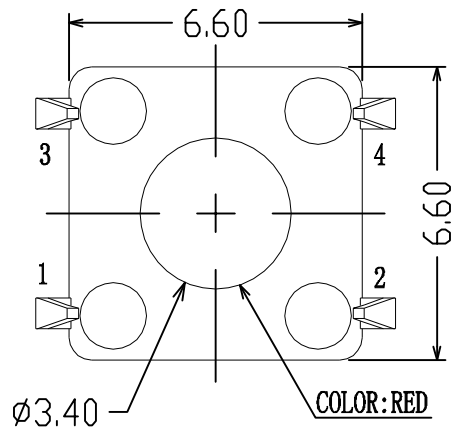
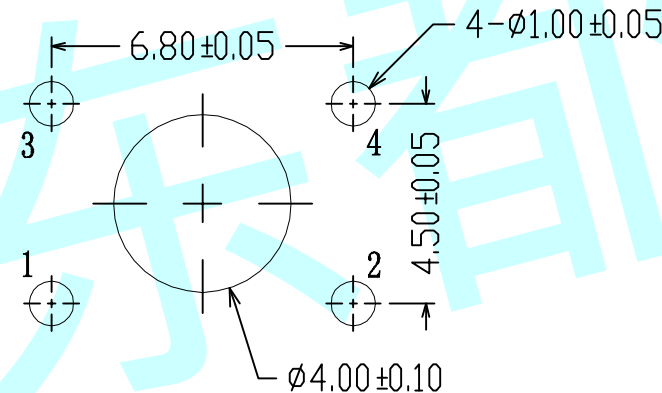
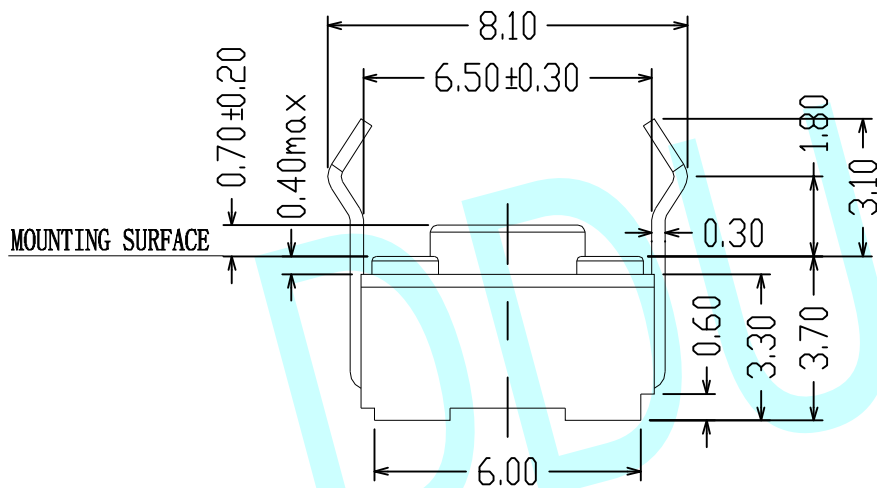


ROHS




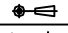
CIRCUIT



RECOMMENDED PCB LAYOUT

NOTES :

1. Rating :DC 12V 50mA
2. Contact resistance:100mΩ max
3. Insulation resistance:100MΩ min, DC 100V
4. Dielectric strength:AC 250V for 1 minute
5. Travel: 0.25±0.15mm
6. Life:100,000 cycles
7. Operating temp:-20℃~+85℃

Stergth		180±30	250±30	350±50
APPROVALS		DATE	http://www.dongdudz.com	
DRAW:	ZRD	2017-12-6	TOLERANCE:	ANGLE:
CHECKED:	***	****	30°	±2°
APPOVALS:	***	****	10°30'	
			5°10'	
			≤5	±0.10
		 东都电子 DONGDU ELECTRONICS		
MODEL:		TACT SWITCHES		
PART NO:		DDU-112023CB		
UNIT :mm		SCALE:1:1		
REV:		A	PAGE:1/1	