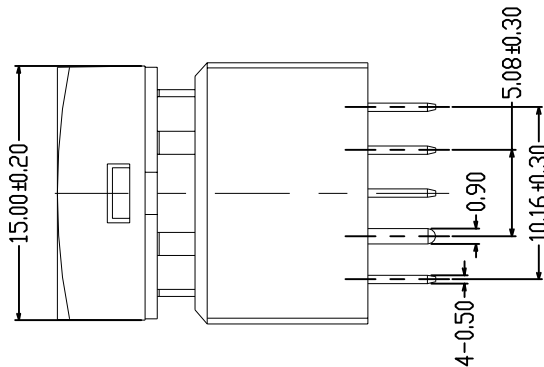
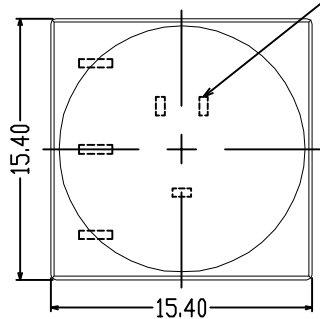
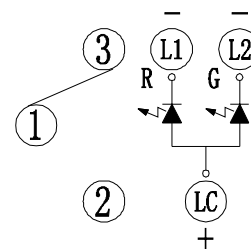


ROHS

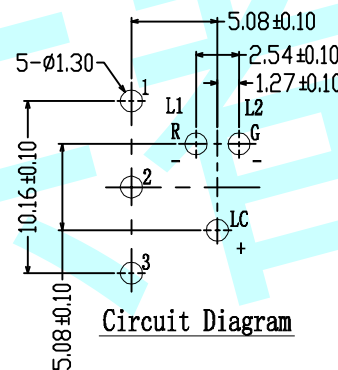
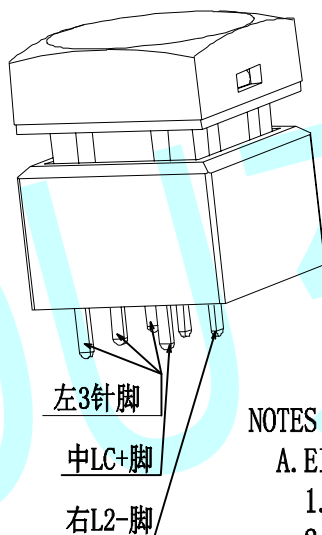
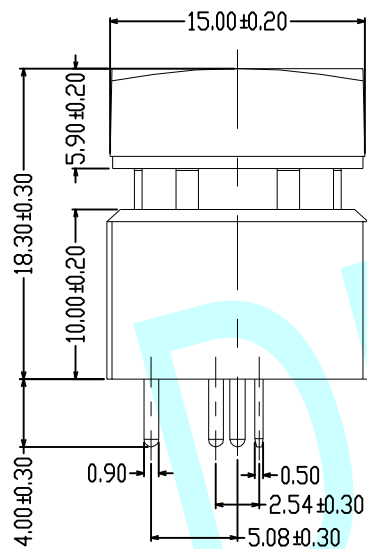
左3针脚 上字符
中-正极, 左-红灯, 右绿灯



注: 单色灯无L1脚



LED SCHEMATIC

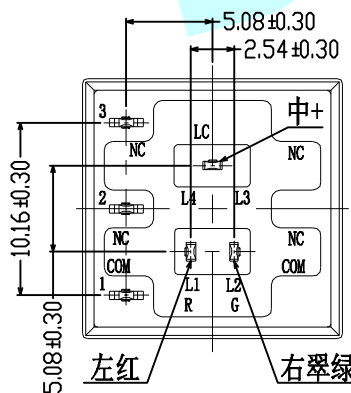


Circuit Diagram

NOTES:

A. Electrical characteristics

1. Rating: 50mA 12V DC
2. Contact resistance: 100mΩ max
3. Insulation resistance: 100MΩ min
4. Dielectric strength: AC 250V (50~60Hz) for 1 minute
5. Usage temperature: -25°C~+80°C
6. Service life: 100,000 cycles



Red/Green (红色/翠绿色)

Orange (橙色)

Green (绿色)


Blue (蓝色)

Red (红色)

Whiler (白色)

LED Colour (LED颜色)

APPROVALS		DATE	http://www.dongdudz.com	
DRAW:	ZRD	2017-12-6	TOLERANCE:	ANGLE:
CHECKED:	***	****	30 ≥	± 0.30
			10~30	± 0.20
			5~10	± 0.15
APPROVALS:	***	****	≤ 5	± 0.10

 东都电子 DONGDU ELECTRONICS		MODEL:	LED Tact Switch
		PART NO:	DDU-1542
UNIT:	mm	SCALE:	1:1
REV:	A	