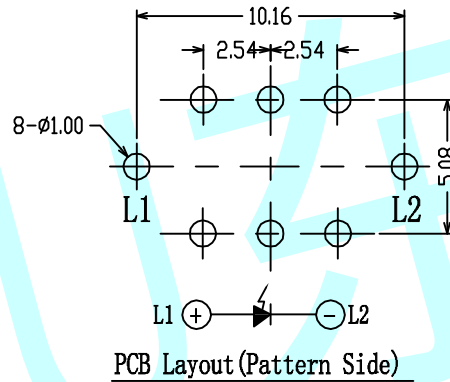
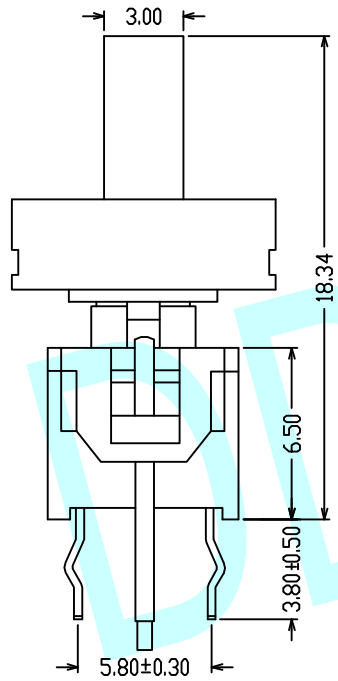
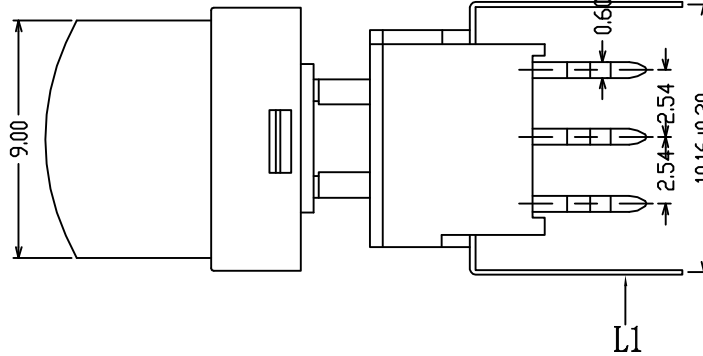
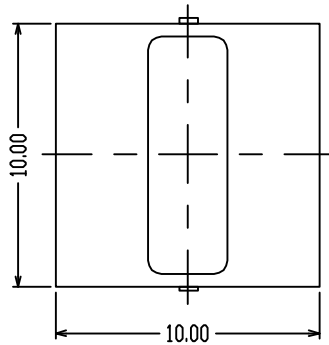
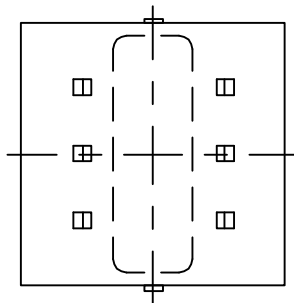


ROHS



NOTES:

1. Rating: DC 12V 50mA
2. Contact Resistance: 100mΩ max
3. Insulation Resistance: 100MΩ min
4. Operating Temperature: -25 °C ~ 80 °C
5. Operating Life: 100,000 cycles



Operating Type		Push To Lock(自锁)		Push No Lock(无锁)	
LED Colour(LED颜色)		Whiler(白色)	Red(红色)	Blue(蓝色)	Green(绿色)
APPROVALS		DATE	http://www.dongdudz.com		
DRAW:	ZRD	2017-12-6	TOLERANCE:	ANGLE:	
CHECKED:	***	****	30° ≥ ±0.30	±2°	
APPOVALS:	***	****	10°~30 ±0.20		
			5°~10 ±0.15		
			≤5 ±0.10		
		 东都电子 DONGDU ELECTRONICS		MODEL: LED Tact Switch PART NO: DDU-1541 UNIT :mm SCALE:1:1	
					PAGE:1/1