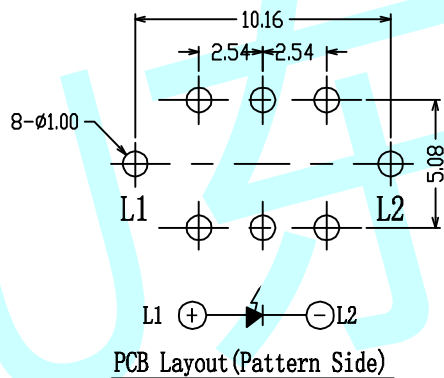
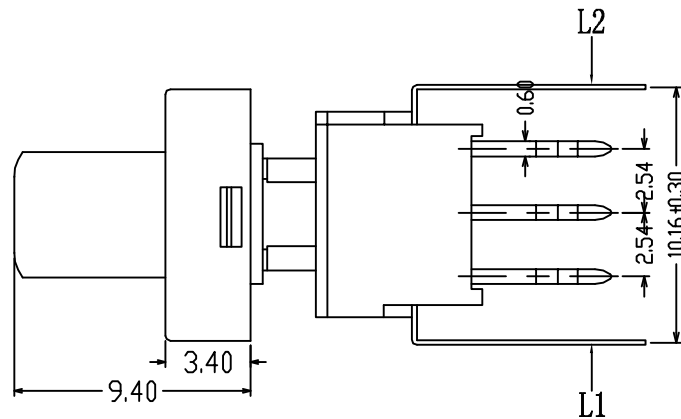
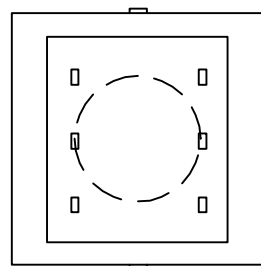
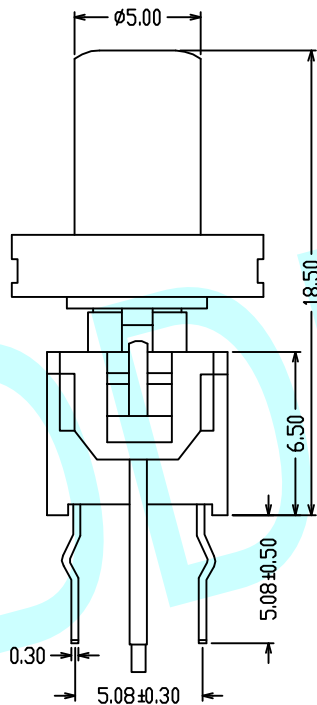
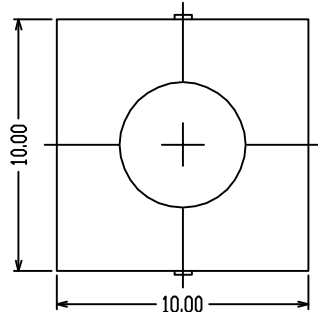


ROHS



NOTES:

1. Rating: DC 12V 50mA
2. Contact Resistance: 100mΩ max
3. Insulation Resistance: 100MΩ min
4. Operating Temperature: -25 °C ~ 80 °C
5. Operating Life: 100,000 cycles

Operating Type		Push To Lock (自锁)		Push No Lock (无锁)	
LED Colour (LED颜色)		Whiler (白色)	Red (红色)	Blue (蓝色)	Green (绿色)
APPROVALS		DATE	http://www.dongdudz.com		
DRAW:	ZRD	2017-12-6	TOLERANCE:	ANGLE:	
CHECKED:	***	****	30 ≥	±0.30	±2°
APPOVALS:	***	****	10°30	±0.20	
			5°10	±0.15	
			≤5	±0.10	
 东都电子 DONGDU ELECTRONICS		MODEL: LED Tact Switch PART NO: DDU-1540 UNIT :mm SCALE: 1:1  REV: A PAGE: 1/1			