

ROHS

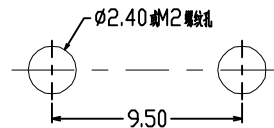
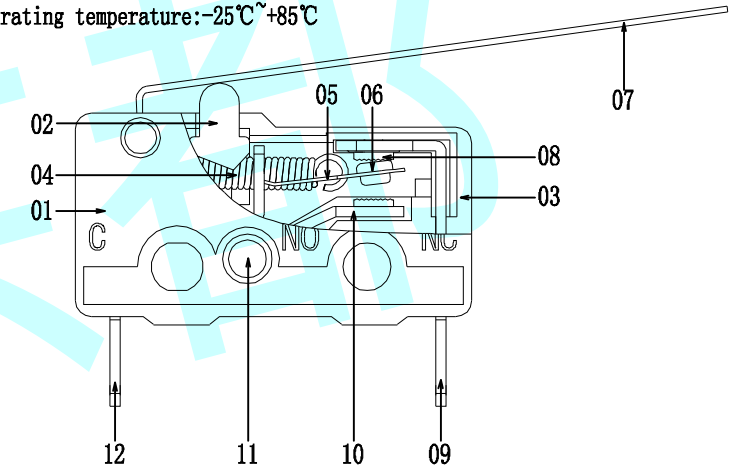
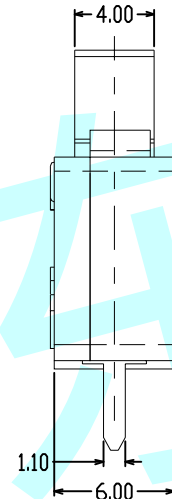
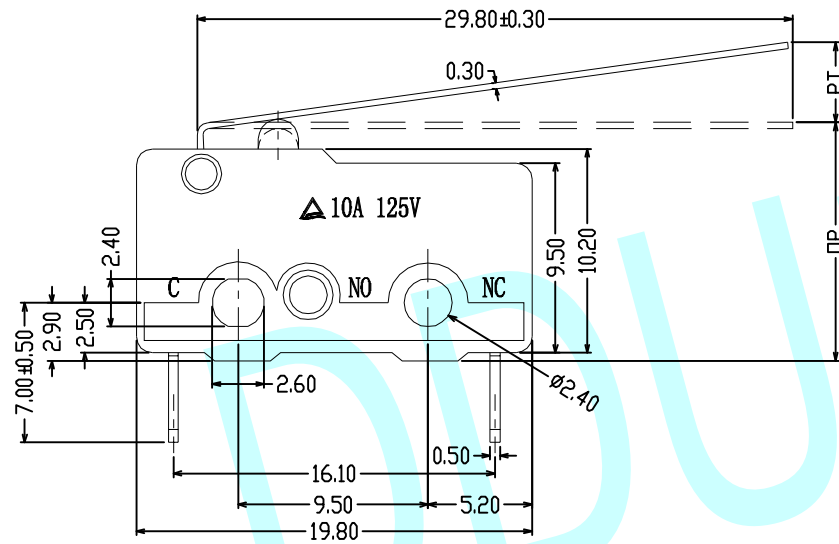
NOTES:

A. Electrical characteristics:

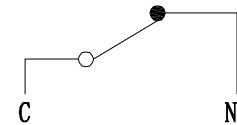
1. Rating: 3A 250V AC 5A 125V AC 10A 125V AC
2. Contact resistance: 50mΩ max (Initial)
3. Insulation resistance: 100MΩ min (at 500V DC)
4. Dielectric strength: AC 1500V (50/60Hz for 1minute)
5. Electrically life: 100,000 cycles min
6. Mechanically life: 300,000 cycles min

B. Mechanical characteristics:

1. Operating force (OF): 50g max
2. Pre-travel (PT): 7.00mm max
3. Operating position (OP): 12.30±2.00mm
4. Operating temperature: -25°C~+85°C


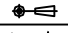


Mounting hole size



Circuit Diagram

12	COM TERMINAL	H65 (C2680)	1	Ag PLATED
11	RIVET	A1	1	
10	NO TERMINAL	H65 (C2680)	1	Ag PLATED
09	NC TERMINAL	C1100	1	Ag PLATED
08	STATIONARY CONTACT	SILVER ALLOY/CU	1	
07	LEVER	SUS301	1	
06	MOVABLE CONTACT	SILVER ALLOY	1	
05	CONTACT PLATE	C5210	1	Ag PLATED
04	SPRING	SUS304	1	
03	HOUSING	PA66	1	BLACK
02	KONB	POM	1	BLACK
01	COVER	PA66	1	BLACK
ITEM	PART NAME	MATERIAL	Q' TY	FINISHING

APPROVALS		DATE	http://www.dongdudz.com	
DRAW:	ZRD	2017-12-6	TOLERANCE:	ANGLE:
CHECKED:	***	****	30≥	±0.30
APPOVALS:	***	****	10°30	±0.20
			5°10	±0.15
			≤5	±0.10
			±2°	
			 东都电子 DONGDU ELECTRONICS	
MODEL:		MICRO SWITCHES		
PART NO:		DDU-1723-L29.7		
UNIT :mm		SCALE: 1:1		
REV:		A	PAGE: 1/1	