

ROHS

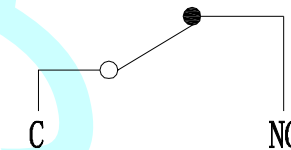
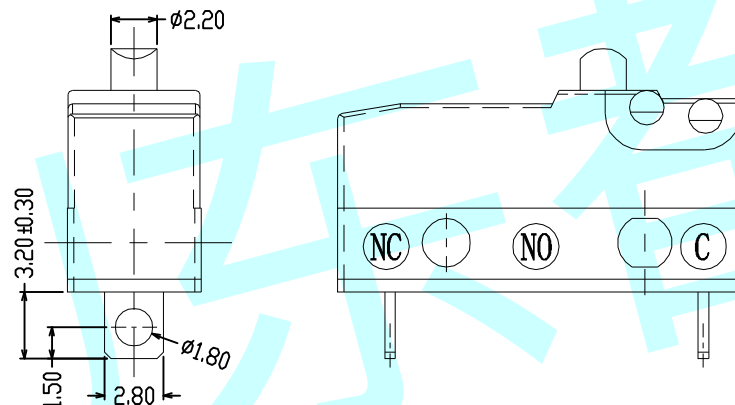
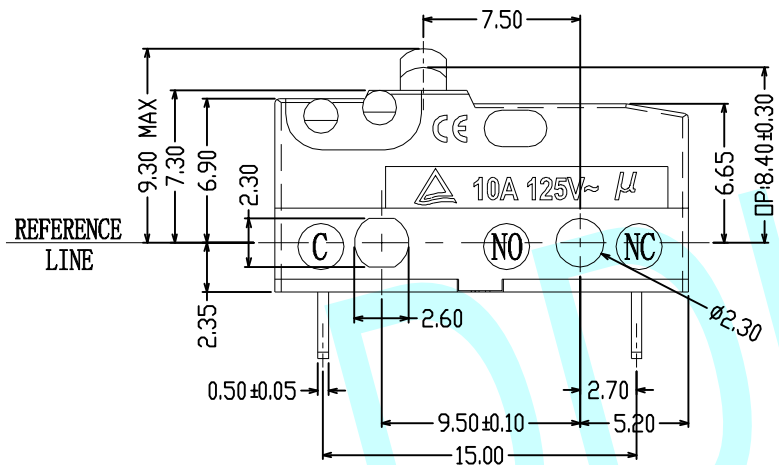
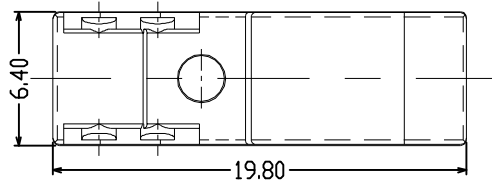
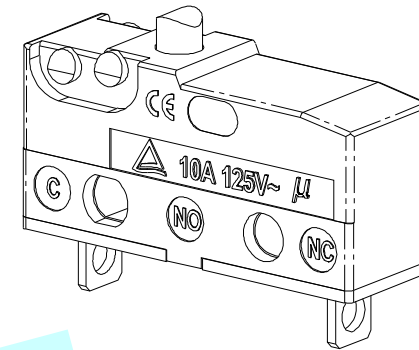
NOTES:

A. Electrical characteristics:

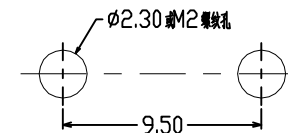
1. Rating: 10A 125V AC
2. Contact resistance: 20mΩ max (Initial)
3. Insulation resistance: 1000MΩ min (at 500V DC)
4. Dielectric strength: AC 1500V (50/60Hz for 1minute)
5. Electrically life: 100,000 cycles min
6. Mechanically life: 2,000,000 cycles min

B. Mechanical characteristics:

1. Operating force (OF): 2.30±0.5N
2. Operating position (OP): 8.40±0.30mm
3. Operating temperature: -25℃~+85℃



CIRCUIT



Mounting hole size

10	COM TERMINAL	C2680	1	Ag PLATED
09	NO TERMINAL	C1100	1	Ag PLATED
08	NC TERMINAL	C2680	1	
07	STATIONARY CONTACT	SILVER ALLOY/CU	1	
06	MOVABLE CONTACT	SILVER ALLOY	1	
05	SPRING	SUS304	1	
04	CONTACT PLATE	C5210	1	Ag PLATED
03	KONB	POM	1	
02	HOUSING	PA66+30%GF	1	BLACK
01	BASE	PA66+30%GF	1	BLACK
ITEM	PART NAME	MATERIAL	Q'TY	FINISHING

APPROVALS		DATE	http://www.dongdudz.com	
DRAW:	ZRD	2017-12-6	TOLERANCE:	ANGLE:
CHECKED:	***	****	30≥ ±0.30	±2°
APPOVALS:	***	****	10~30 ±0.20	
			5~10 ±0.15	
			≤5 ±0.10	
			东都电子 DONGDU ELECTRONICS	
			MODEL:	MICRO SWITCHS
			PART NO:	DDU-1725
			UNIT :mm	SCALE: 1:1
			REV:	A
				PAGE: 1/1