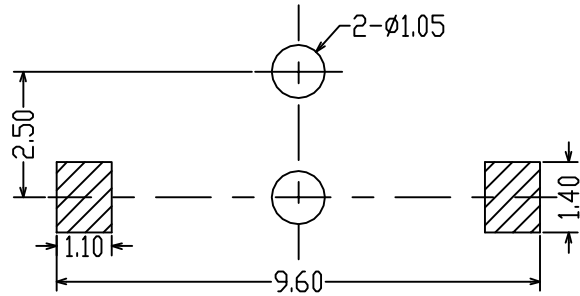
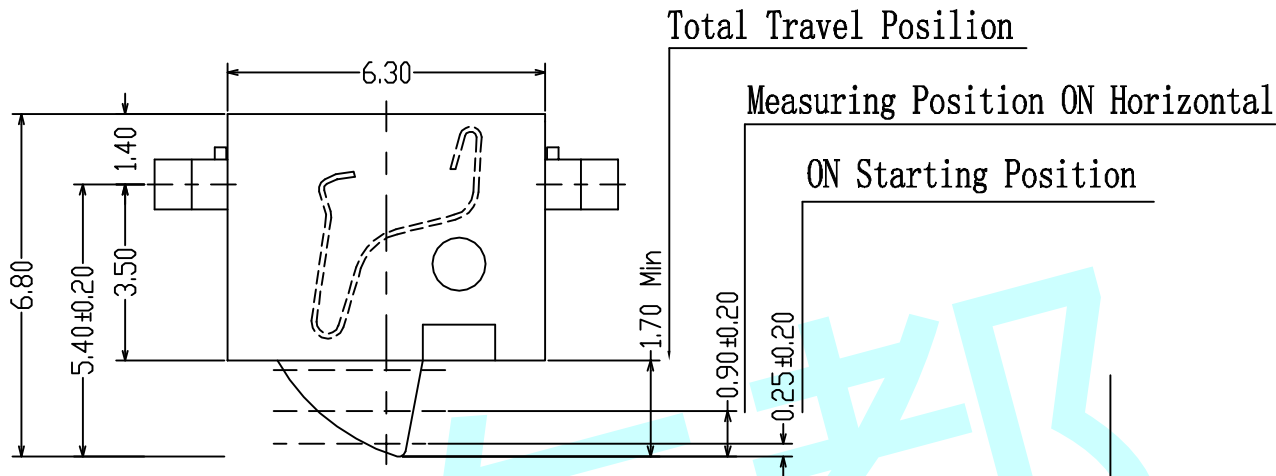


ROHS

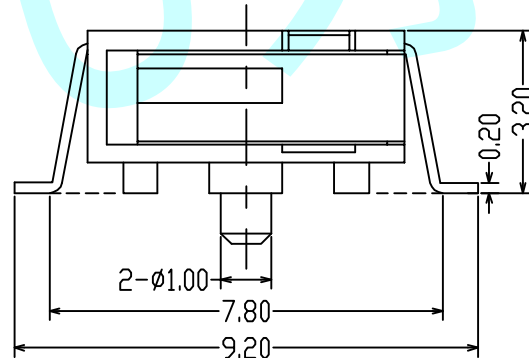
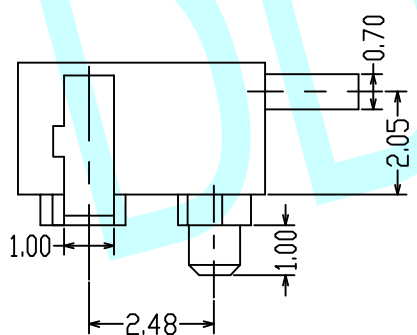


PCB LAYOUT



Circuit Diagram

Operating Direction



NOTES:

1. Rating :DC 12V 0.1A
2. Operating Force: 20 ± 10 gf
3. Life time :50,000 Cycles

APPROVALS		DATE	http://www.dongdudz.com		
DRAW:	ZRD	2017-12-6	TOLERANCE:	ANGLE:	
CHECKED:	***	****	30°	±0.30	
APPOVALS:	***	****	10°30	±0.20	
			5°10	±0.15	
			≤5	±0.10	
			±2°		
				MODEL:	DETECTOR SWITCHS
				PART NO:	DDU-1615
				UNIT :mm	SCALE: 1:1
			REV:	A	
				PAGE: 1/2	



MODEL: DETECTOR SWITCHS
PART NO: DDU-1615
UNIT :mm SCALE: 1:1
REV: A PAGE: 1/2