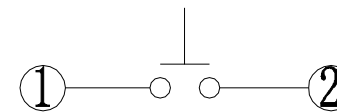
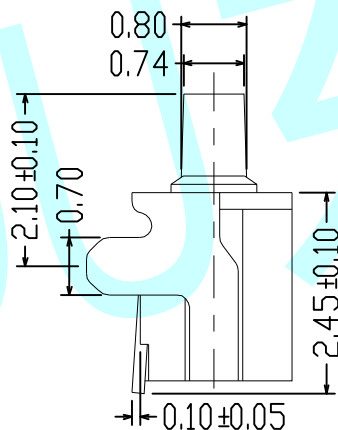
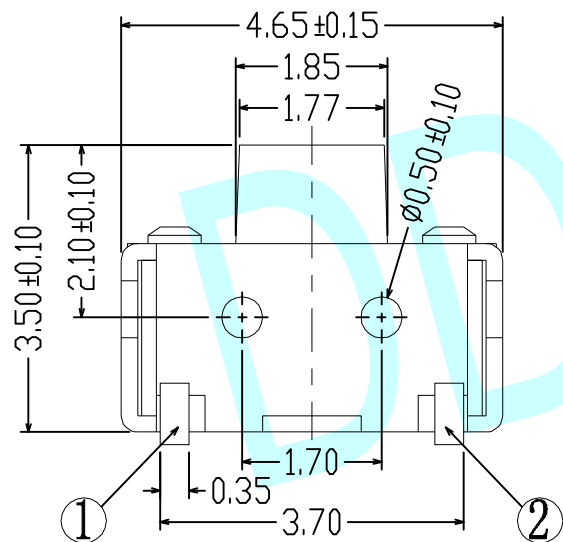
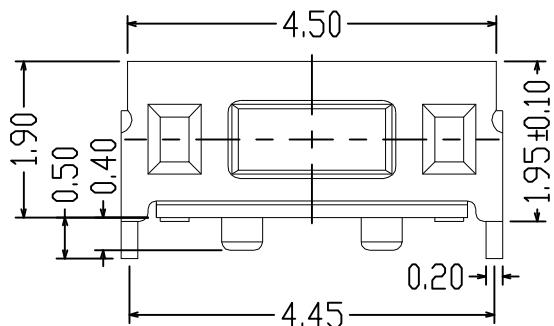
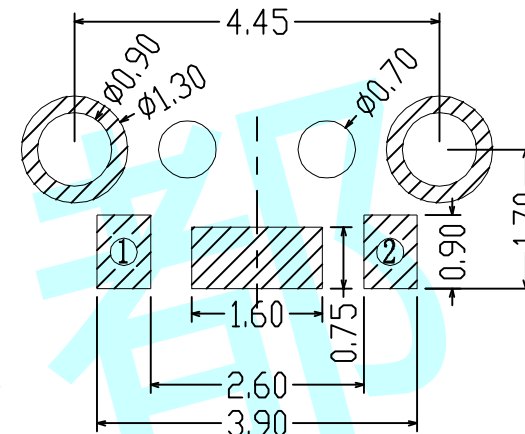


ROHS




CIRCUIT DAGRAM



PCB LAYOUT

技术要求:

1. 额定电流: 50mA 12V DC
2. 绝缘电阻: $\geq 100M\Omega$
3. 接触电阻: $\leq 100m\Omega$
4. 耐电压: 250V AC for 1min.
260° 高温后衰变值在初始值的20%以内。

APPROVALS		DATE	http://www.dongdudz.com		 东都电子 DONGDU ELECTRONICS
DRAW:	ZRD	2017-12-6	TOLERANCE:	ANGLE:	
CHECKED:	***	****	30 \geq	± 0.30	$\pm 2^\circ$
APPOVALS:	***	****	10 $^{\circ}$ 30	± 0.20	
			5 $^{\circ}$ 10	± 0.15	
			≤ 5	± 0.10	
MODEL:	TACT SWITCHES				
PART NO:	DDU-1168AN				
UNIT :mm	SCALE: 1:1				
REV:	A				PAGE: 1/1