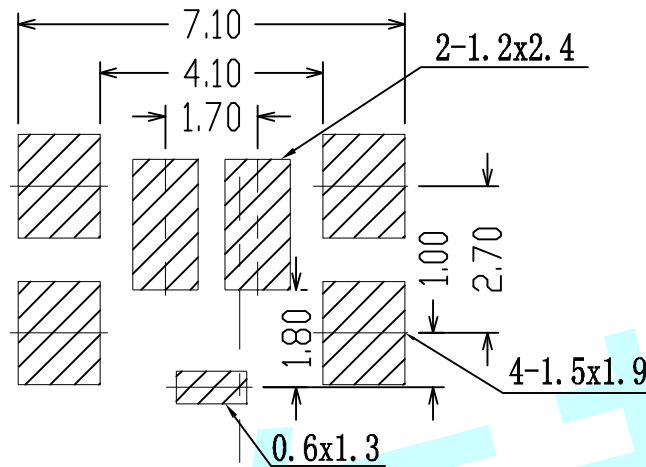
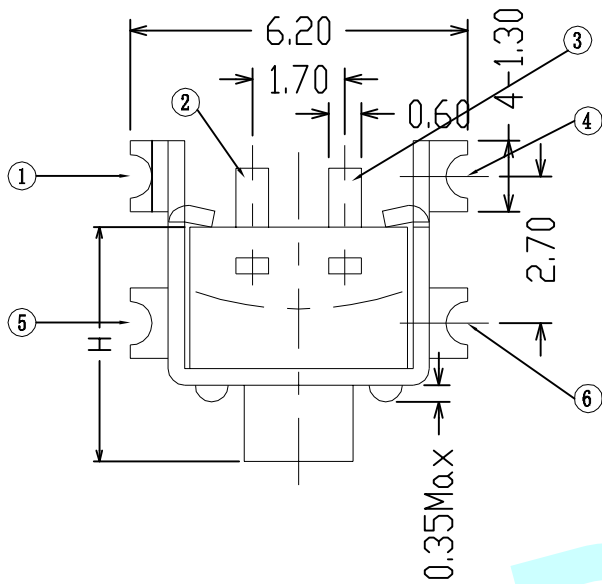
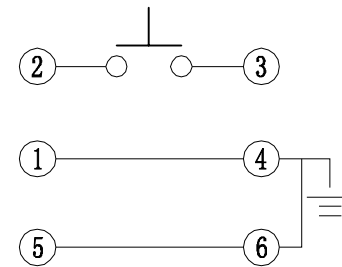


**ROHS**



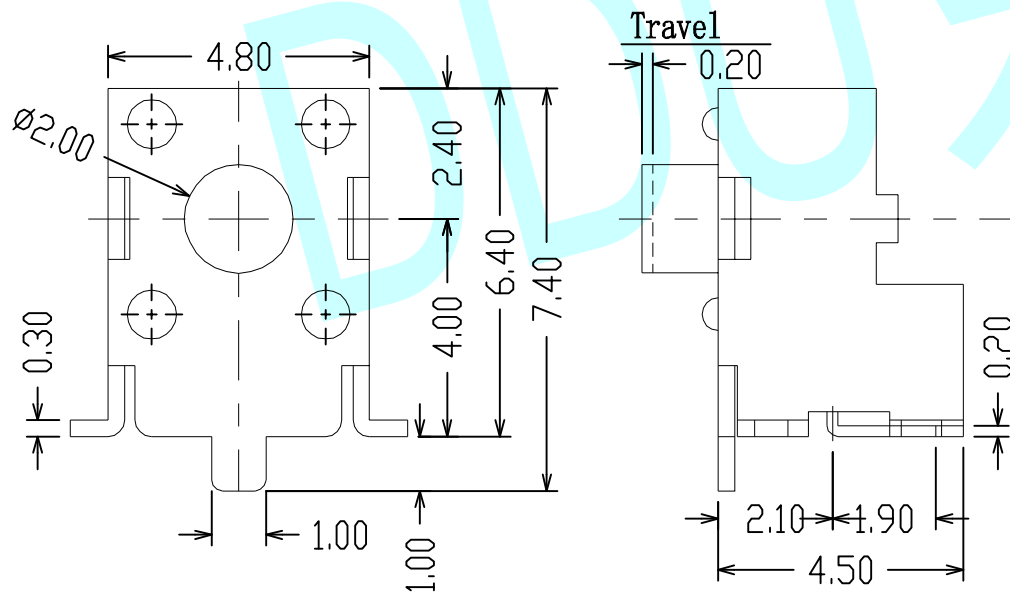
PCB Layout (Pattern Side)




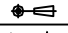
Circuit Diagram

NOTES:

1. Rate voltage. current: 50mA DC 12V
2. Contact resistance:  $\leq 100m\Omega$
3. Travel:  $0.20 \pm 0.10mm$
4. Insulated resistance:  $\geq 100M\Omega$
5. Dielectric strength:  $\geq 250V AC/1min$
6. Endurance: 100, 000 cycles



H	3.80	4.30	4.50	5.00	5.50	6.00	6.50
Stergth	90 $\pm$ 30	130 $\pm$ 30	180 $\pm$ 30	250 $\pm$ 30	350 $\pm$ 50		

APPROVALS		DATE	http://www.dongdudz.com		 <b>东都电子</b> DONGDU ELECTRONICS	
DRAW:	ZRD	2017-12-6	TOLERANCE:	ANGLE:		
CHECKED:	***	****	30 $\geq$	$\pm 0.30$	$\pm 2^\circ$	
APPOVALS:	***	****	10 $^\circ$ 30	$\pm 0.20$		
			5 $^\circ$ 10	$\pm 0.15$		
			$\leq 5$	$\pm 0.10$		
MODEL:	TACT SWITCHES					
PART NO:	DDU-1181W					
UNIT :mm	SCALE: 1:1					
REV:	A	PAGE: 1/1				