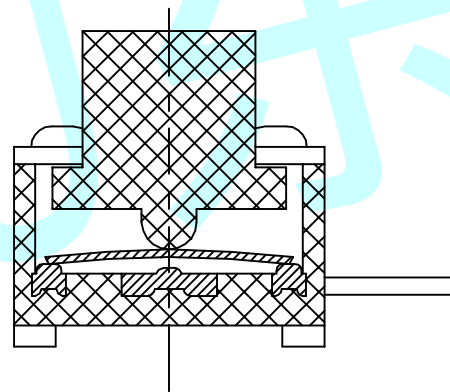
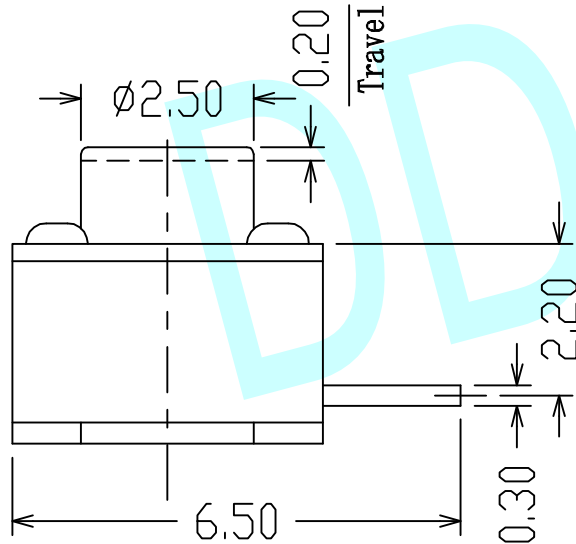
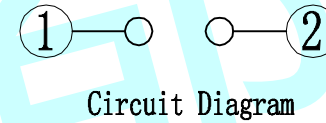
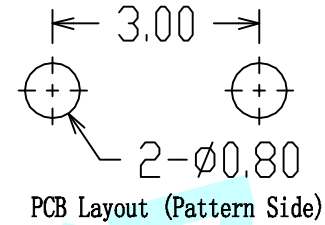
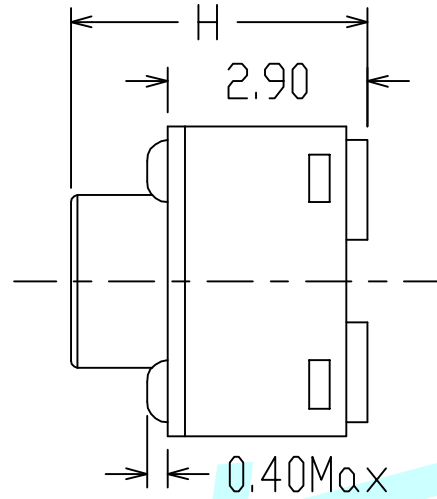
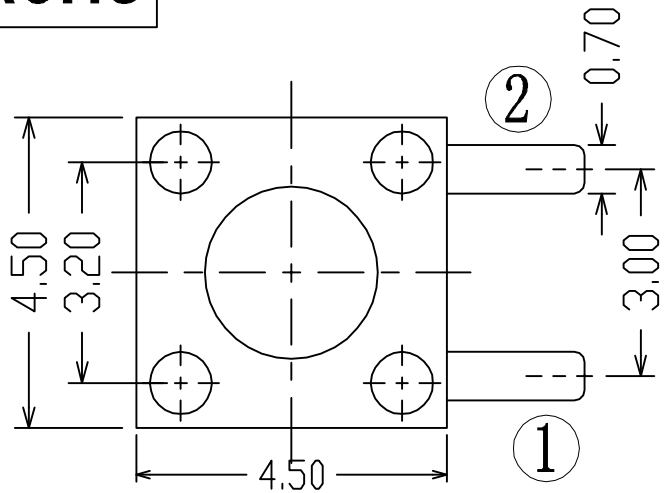


**ROHS**



**NOTES:**

1. Rate voltage. current: 50mA DC 12V
2. Contact resistance:  $\leq 100m\Omega$
3. Travel:  $0.20 \pm 0.05mm$
4. Insulated resistance:  $\geq 100M\Omega$
5. Dielectric strength:  $\geq 250V AC/1min$
6. Endurance: 100, 000 cycles

H	3.8	4.3	4.8	5.0	5.5	6.0	6.5	7.0	7.5	8.0	8.5	9.0
Stergth	90±30		130±30		180±30		250±30		350±50			
APPROVALS	DATE		<a href="http://www.dongdudz.com">http://www.dongdudz.com</a>									
DRAW:	ZRD	2017-12-6		TOLERANCE:		ANGLE:						
CHECKED:	***	****		30°	±0.30	±2°						
APPOVALS:	***	****		10°30'	±0.20							
				5°10'	±0.15							
				≤5	±0.10	MODEL:	TACT SWITCHES					
						PART NO:	DDU-1183F					
						UNIT :mm	SCALE: 1:1					
						REV:	A		PAGE: 1/1			

