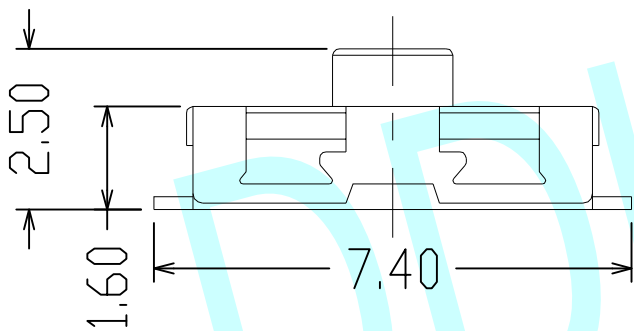
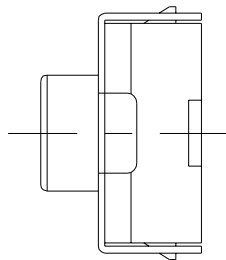
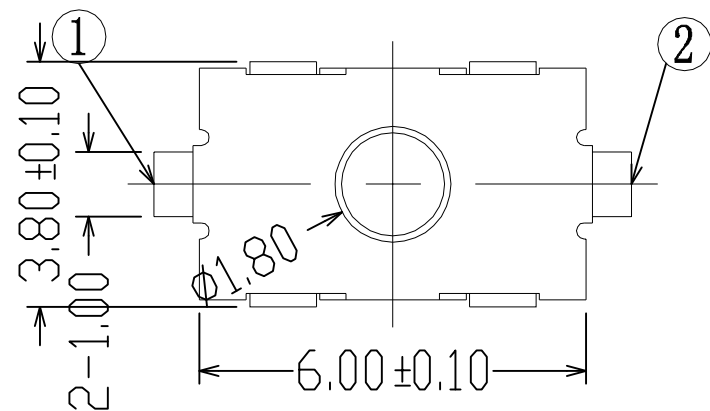
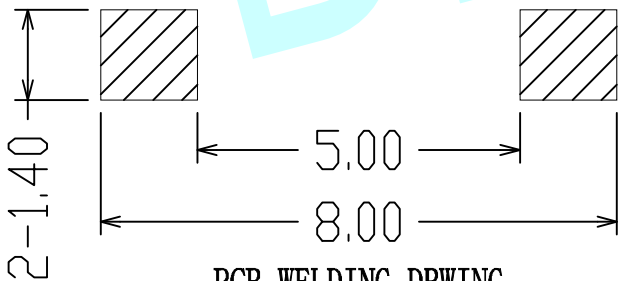


ROHS



CIRCUIT DIAGRAM



PCB WELDING DRWING


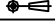
NOTES:

A. Main technical performance:

1. Rated value: 50mA DC 12V
2. Contact resistance:  $\leq 100m\Omega$
3. Operating force:  $250 \pm 50gf$
4. Stroke:  $0.25 \pm 0.10mm$
5. Insulation resistance:  $\geq 100M\Omega$
6. Dielectric strength: 250V, 50Hz, 1min
7. Service life: 30000 cycles

B. Material Science:

1. Ontology: LCP
2. Button: silicone
3. Card: brass (silver plated)
4. Shrapnel: SUS (silver coated)
5. Cover plate: SUS

APPROVALS		DATE	http://www.dongdudz.com		 <b>® 东都电子</b> DONGDU ELECTRONICS
DRAW:	ZRD	2017-12-6	TOLERANCE:	ANGLE:	
CHECKED:	***	****	30°	±0.30	
APPOVALS:	***	****	10°30	±0.20	
			5°10	±0.15	
			≤5	±0.10	±2°
MODEL:	TACT SWITCHES				
PART NO:	DDU-1178				
UNIT :mm	SCALE: 1:1				
REV:	A	PAGE: 1/1			