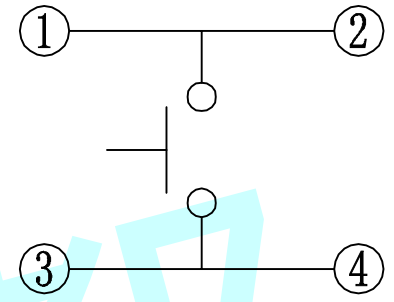
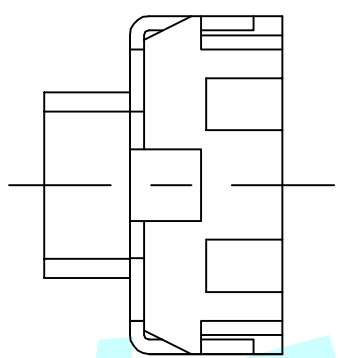
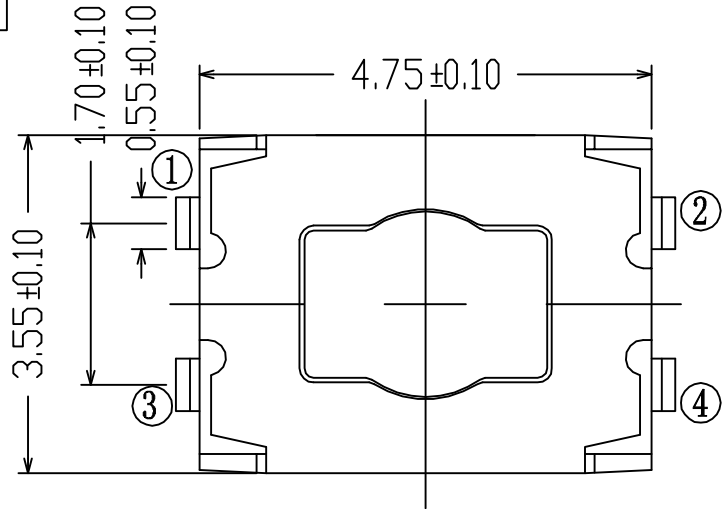
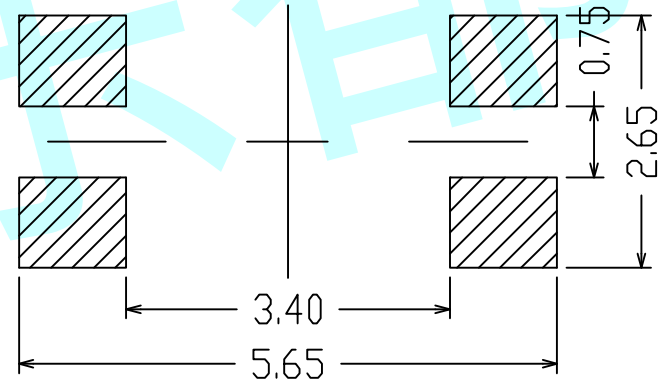
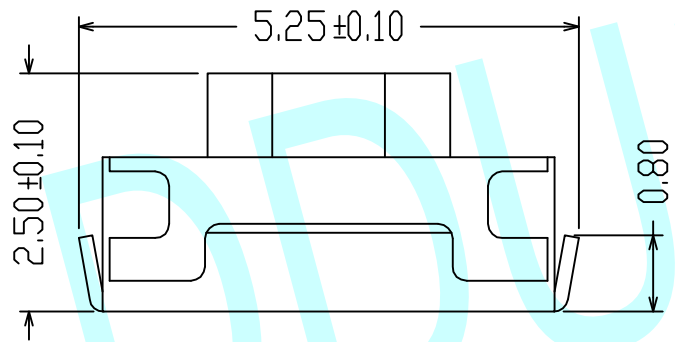


ROHS




Circuit Diagram



PCB Layout Dimension

NOTE :

- 1. Rating :DC 12V 50mA
- 2. Contact Resistance:100mΩ Max
- 3. Insulation Resistance :100mΩ Min 100V DC
- 4. Dielectric Strength :250V AC For 1min

APPROVALS		DATE	http://www.dongdudz.com		 东都电子 DONGDU ELECTRONICS
DRAW:	ZRD	2017-12-6	TOLERANCE:	ANGLE:	
CHECKED:	***	****	30° ≥ ±0.30	±2°	
APPOVALS:	***	****	10°~30 ±0.20		
			5°~10 ±0.15		
			≤5 ±0.10		
MODEL:	TACT SWITCHS				
PART NO:	DDU-1173				
UNIT :mm	SCALE:1:1				
REV:	A				PAGE:1/1