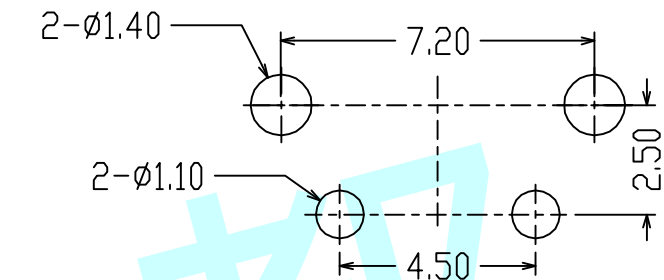
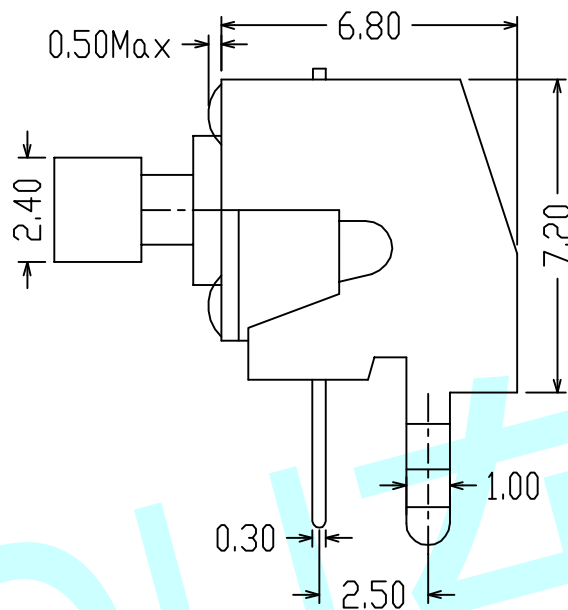
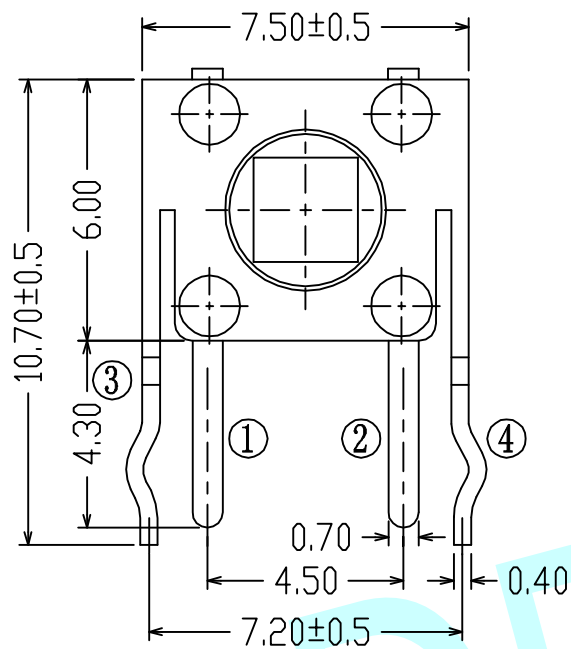
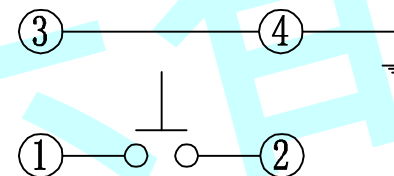


ROHS



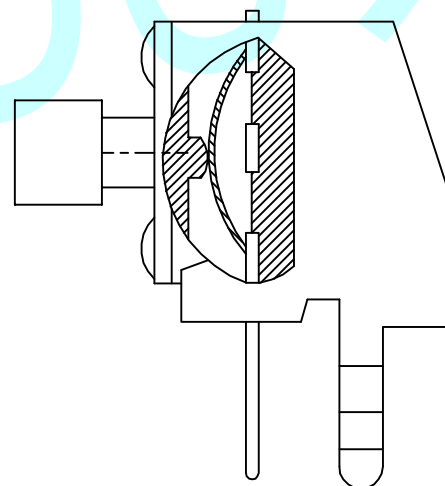
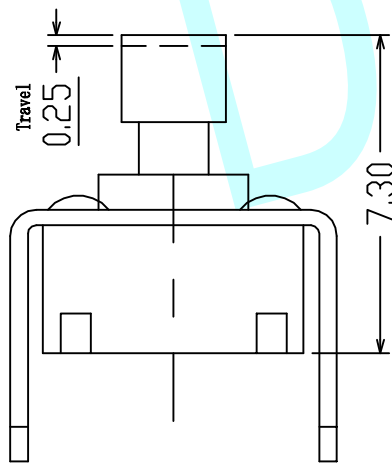
PCB Layout (Pattern Side)




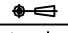
Circuit Diagram

NOTES :

1. Rating :DC 12V 50mA.
2. Contact resistance:  $\leq 100m\Omega$
3. Insulation resistance:  $\geq 100M\Omega$
4. Travel:  $0.25 \pm 0.10mm$
5. Life :300,000 Cycles



Stergth	90±30	130±30	180±30	250±30	350±50
---------	-------	--------	--------	--------	--------

APPROVALS		DATE	http://www.dongdudz.com		
DRAW:	ZRD	2017-12-6	TOLERANCE:	ANGLE:	
CHECKED:	***	****	30 $\geq$	$\pm 0.30$	$\pm 2^\circ$
APPOVALS:	***	****	10 $\sim$ 30	$\pm 0.20$	
			5 $\sim$ 10	$\pm 0.15$	
			$\leq 5$	$\pm 0.10$	
			 <b>东都电子</b> DONGDU ELECTRONICS		
MODEL:		TACT SWITCHES			
PART NO:		DDU-1149			
UNIT :mm	SCALE: 1:1				
REV:	A			PAGE:1/1	