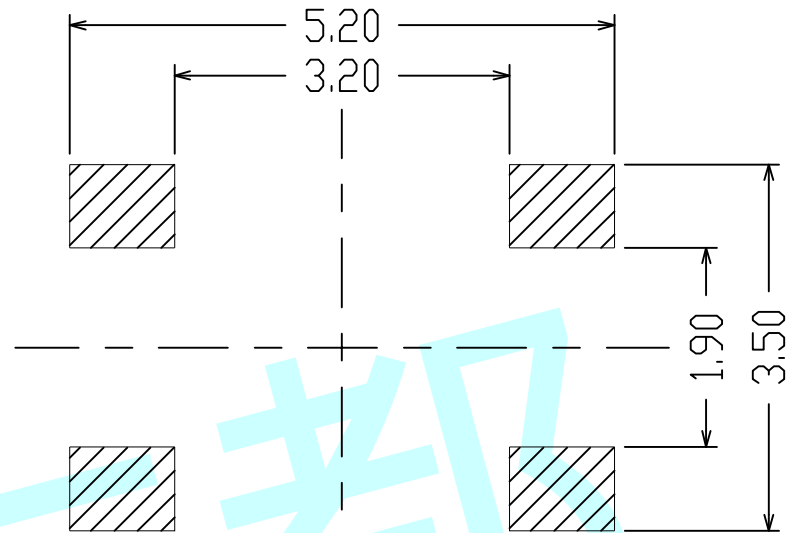
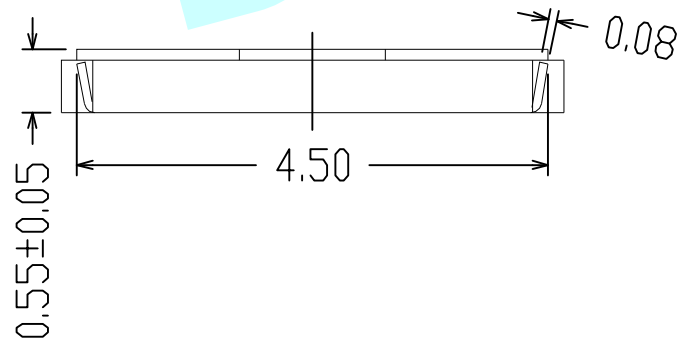
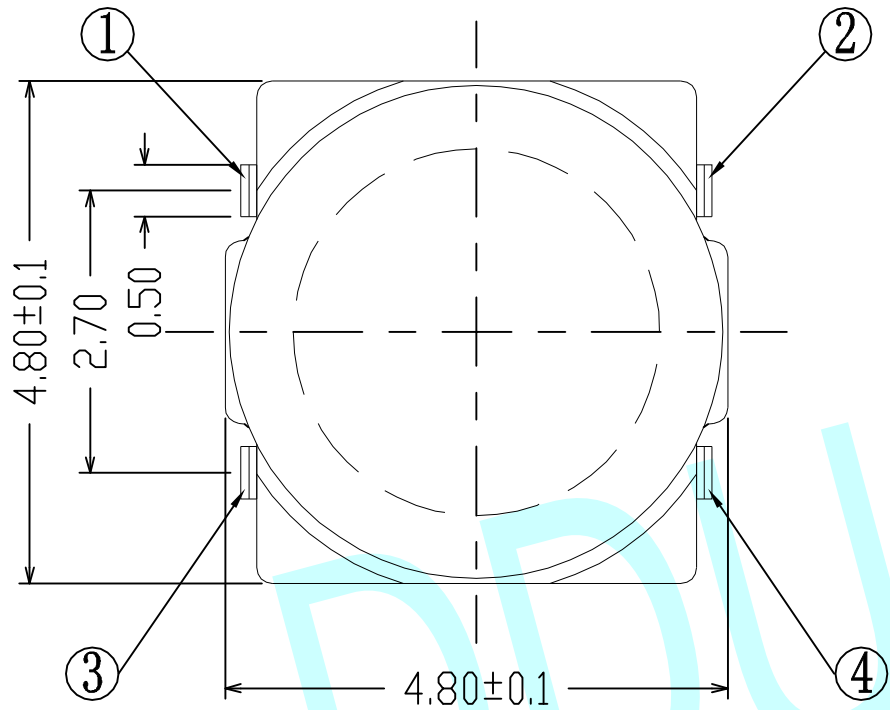
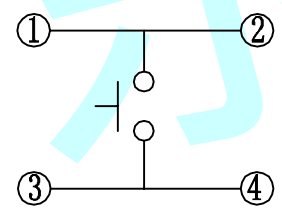


ROHS



PCB Layout (Pattern Side)


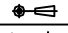


Circuit Diagram

NOTES :

- 1. Rating :DC 12V 50mA
- 2. Contact resistance: $\leq 100m\Omega$
- 3. Insulation resistance: $\geq 100M\Omega$
- 4. Travel: $0.20 \pm 0.10mm$

Stergth	90±30	130±30	180±30	250±30	350±50
---------	-------	--------	--------	--------	--------

APPROVALS		DATE	http://www.dongdudz.com		
DRAW:	ZRD	2017-12-6	TOLERANCE:		ANGLE:
CHECKED:	***	****	30°	±0.30	±2°
APPOVALS:	***	****	10°30'	±0.20	
			5°10'	±0.15	
			≤5	±0.10	
				 ® 东都电子 DONGDU ELECTRONICS	
MODEL:		TACT SWITCHES			
PART NO:		DDU-1116UR			
UNIT :mm		SCALE: 1:1			
REV:		A		PAGE: 1/1	