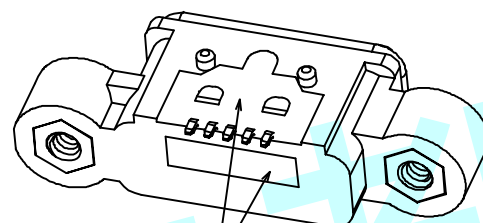
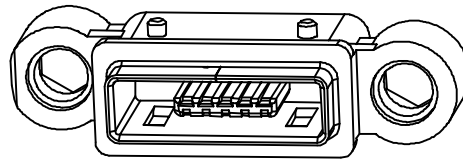
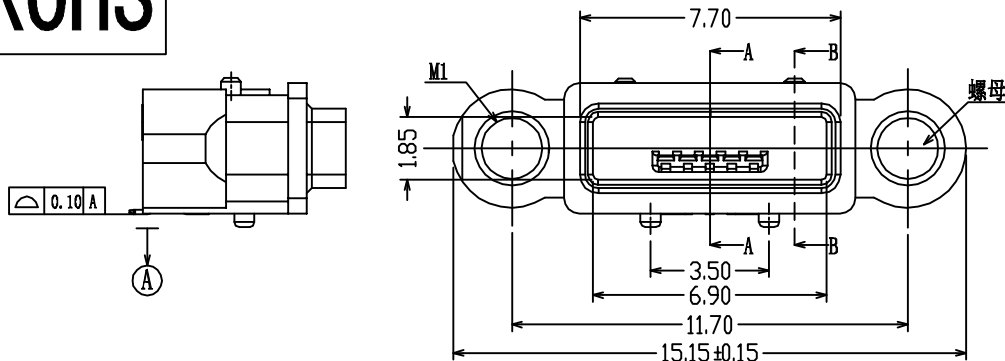
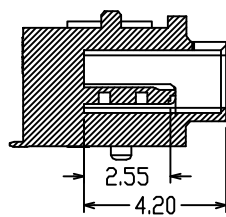


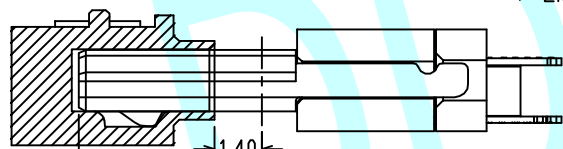
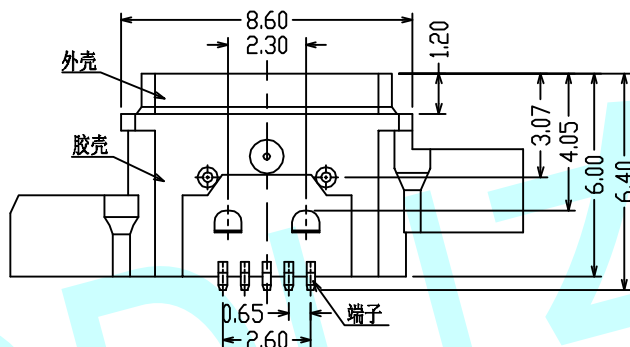
ROHS



此处打胶防水
3D示意图



A-A剖视图

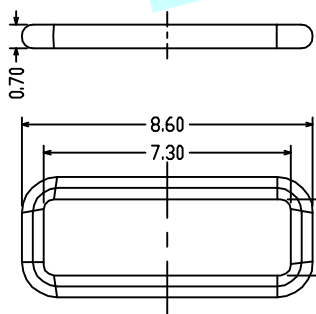


B-B剖视图

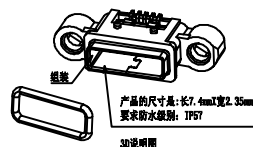
配合示意图

NOTES:

1. Rating: DC 30V 0.5A
2. Dielectric Withstanding: 100V AC For 1Min
3. Contact Resistance: 50mΩ Max
4. Insulation Resistance: 100MΩ Min
5. Operating Temperature Range: -25°C~80°C
6. Operating Force: 8-30N
7. Operating Life: 5000 Cycles



材质:
1. 材质: 氟橡胶 (或橡胶, 二氧化硅), 要求无毒, 符合ROHS.
2. 防水级别: IP67.



防水圈

APPROVALS		DATE	http://www.dongdudz.com			
DRAW:	ZRD	2017-12-6	TOLERANCE:	ANGLE:		
CHECKED:	***	***	30≥	±0.30		
APPOVALS:	***	***	10°30	±0.20		
			5°10	±0.15		
			≤5	±0.10		
			±2°			
					东都电子 DONGDU ELECTRONICS	
					MODEL:	USB CONNECTOR
					PART NO:	USB-AB-IP67-1
			UNIT :mm	SCALE: 1:1		
			REV:	A		
			PAGE: 1/1			