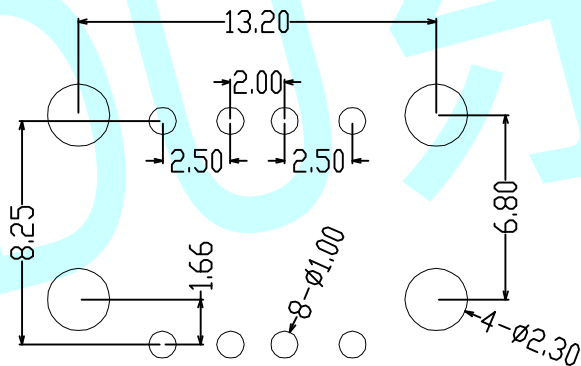
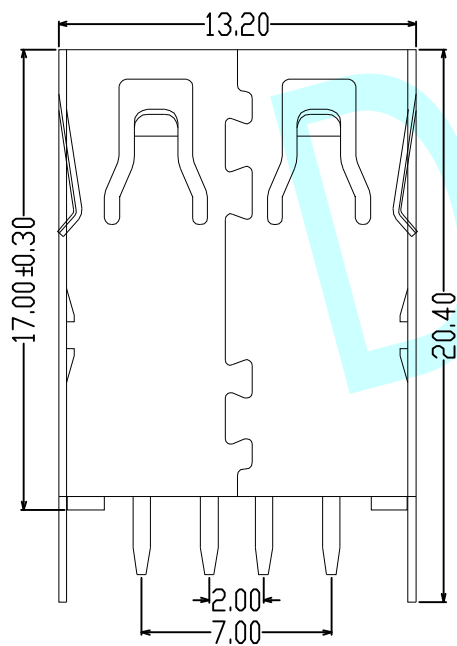
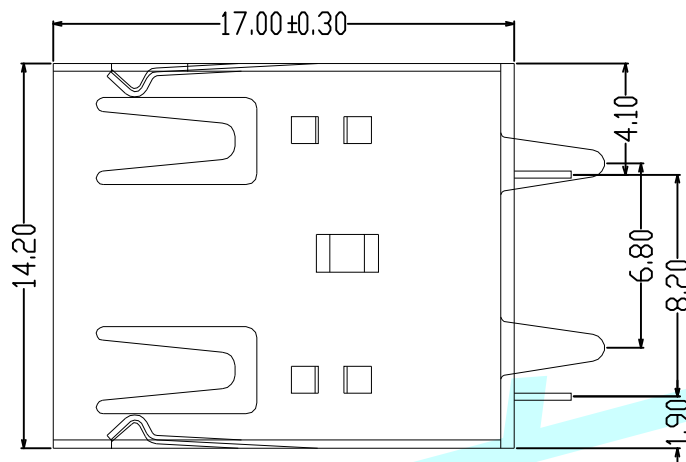
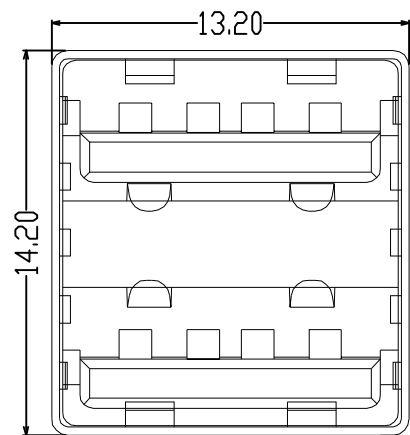


ROHS



PCB LAYOUT

NOTES:

A. Material:

- 1. Contact: Phosphor Bronze
- 2. Insulate: PBT+30% G. F. UL94V-0
- 3. Shell: SPCC

B. Mechanical:

- 1. Mating: 35N max
- 2. Withdraw force: 10N min
- 3. Durability: 1500 cycles min

C. Electrical:



- 1. Current-max (amps): 1.5A
- 2. Voltage-max (volts): 30V
- 3. Withstanding voltage: 750V AC
- 4. Contact resistance: 30mΩ min
- 5. Insulation resistance: 1000MΩ min

D. Plating:

- 1. Contacts: Gold and tin over Nickel plated
- 2. Shell: Nickel over all plating

E. Environmental:

Temperature range: -55~+85

APPROVALS		DATE	http://www.dongdudz.com		 东都电子 DONGDU ELECTRONICS
DRAW:	ZRD	2017-12-6	TOLERANCE:	ANGLE:	
CHECKED:	***	***	30°	±2°	
APPOVALS:	***	***	10~30		
			5~10		
			≤5	±0.10	
MODEL:	USB CONNECTOR		UNIT: mm	SCALE: 1:1	
PART NO:	USB-180D-L17-2		REV:	A	