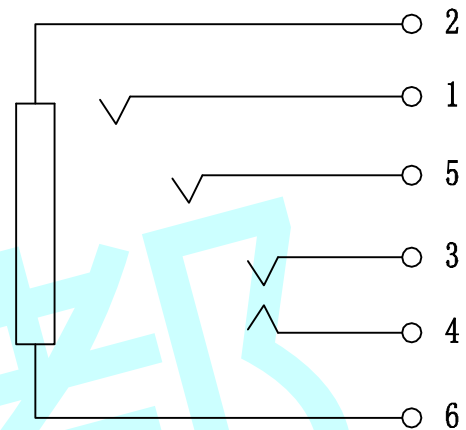
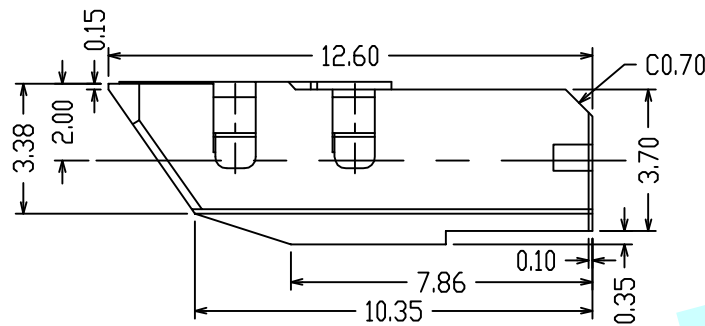
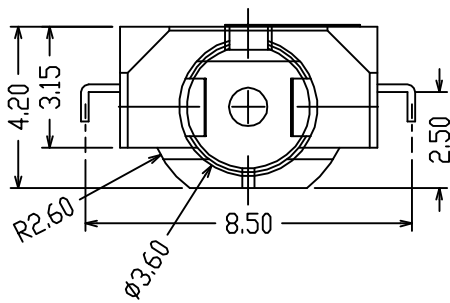
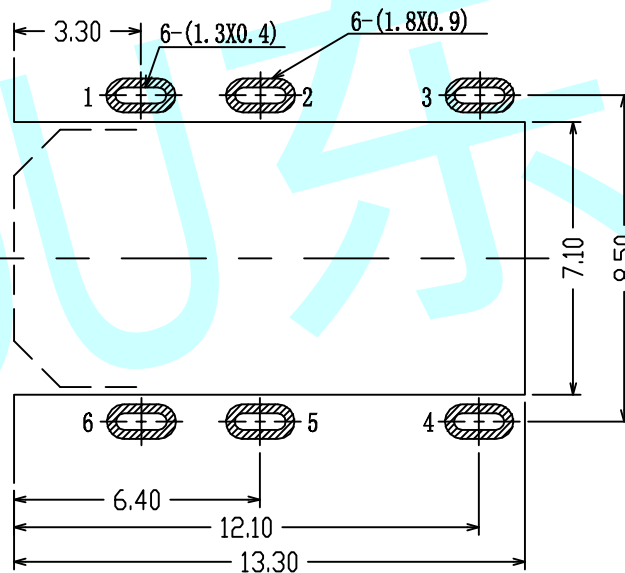
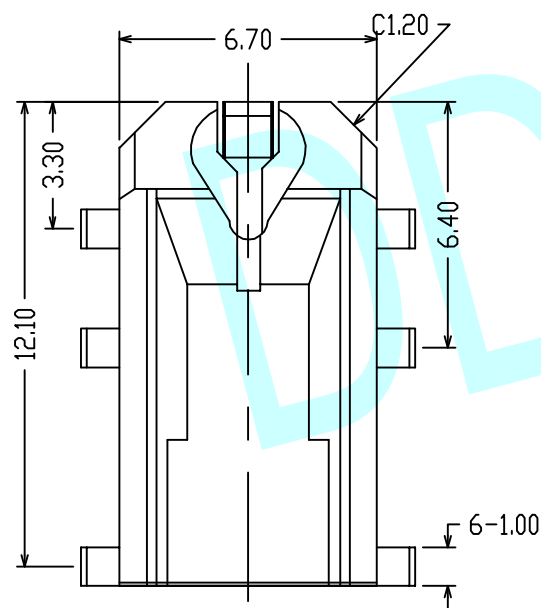


ROHS




CIRCUIT DIAGRAM



PCB Layout (Top View)

NOTES:

1. Rating :0.5A 30V DC
2. Contact Resistance :100mΩ Max
3. Operating Temperature:-20℃~70℃
4. Operating Force:3-20N
5. Operating Life:5000 Cycles

APPROVALS		DATE	http://www.dongdudz.com		 东都电子 DONGDU ELECTRONICS	
DRAW:	ZRD	2017-12-6	TOLERANCE:	ANGLE:		
CHECKED:	***	****	30≥	±0.30		±2°
APPOVALS:	***	****	10~30	±0.20		
			5~10	±0.15		
			≤5	±0.10		
MODEL:	PHONE JACKES					
PART NO:	PJ-666					
UNIT :mm	SCALE:1:1					
REV:	A				PAGE:1/1	