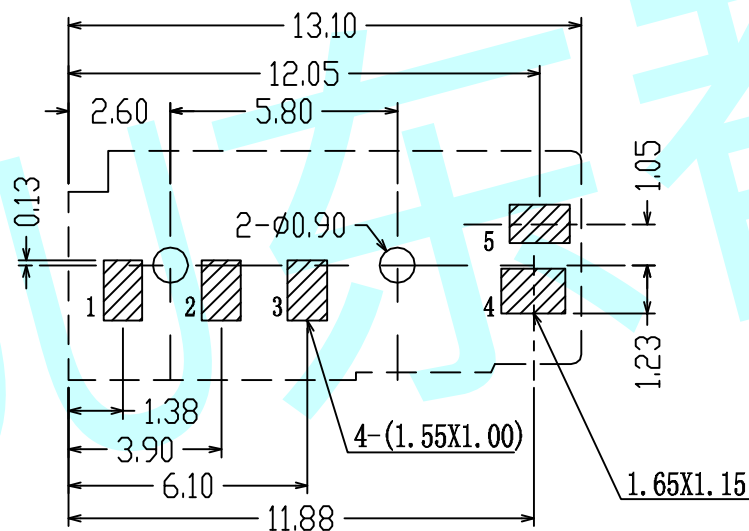
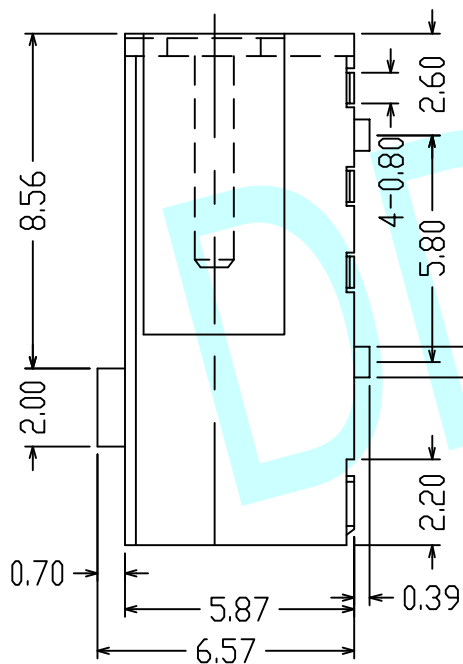
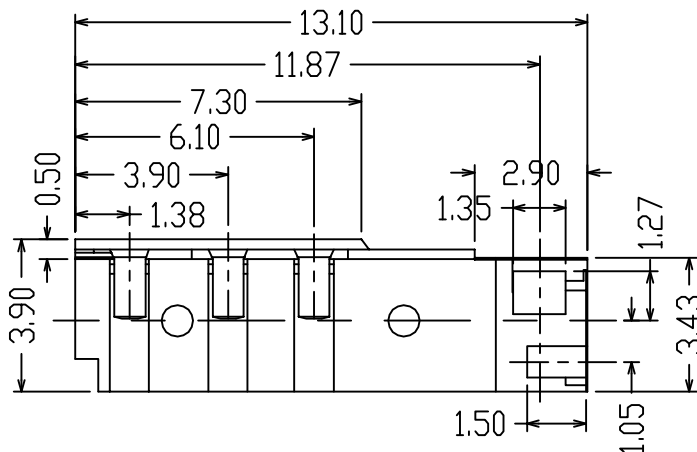
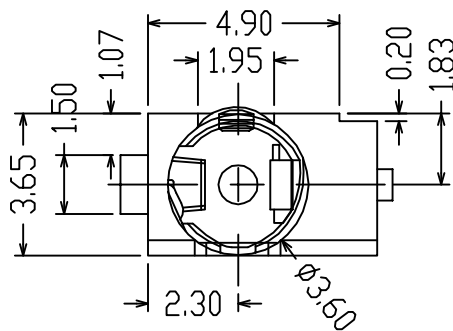
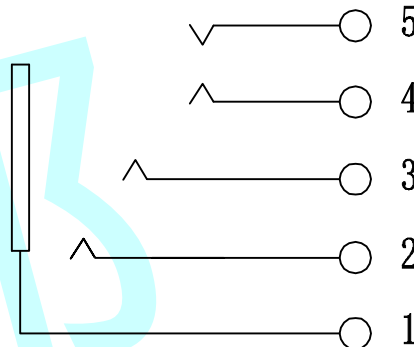


ROHS




PCB Layout (Copper-Sided View)



CIRCUIT DIAGRAM

NOTES:

1. Rating :0.5A 30V DC
2. Contact Resistance :100mΩ Max
3. Operating Temperature:-20℃~70℃
4. Operating Force:3-20N
5. Operating Life:5000 Cycles

APPROVALS		DATE	http://www.dongdudz.com		 东都电子 DONGDU ELECTRONICS
DRAW:	ZRD	2017-12-6	TOLERANCE:	ANGLE:	
CHECKED:	***	****	30°	±0.30	
APPOVALS:	***	****	10°30	±0.20	
			5°10	±0.15	
			≤5	±0.10	MODEL: PHONE JACKS PART NO: PJ-665 UNIT :mm SCALE:1:1 REV: A PAGE:1/1