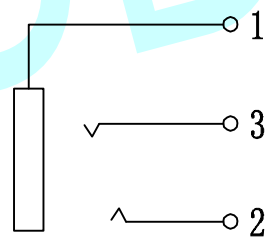
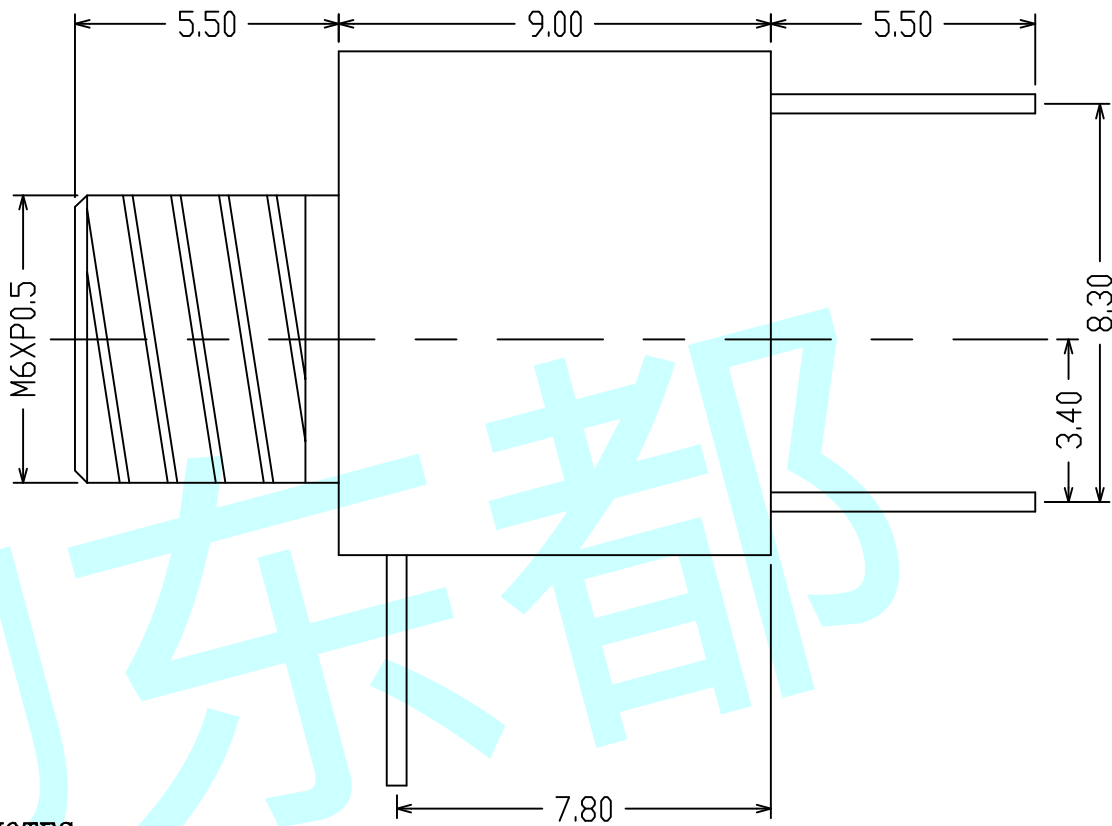
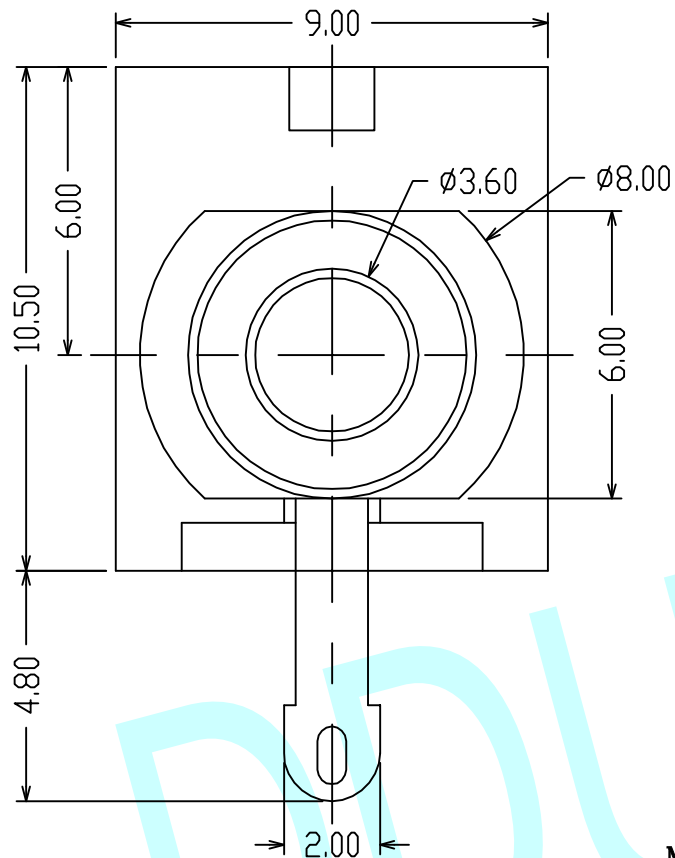



ROHS



Schematic

NOTES:

1. Rating :0.5A 30V DC
2. Contact Resistance :100mΩ Max
3. Operating Temperature:-20℃~+70℃
4. Operating Force:3-20N
5. Operating Life:5,000 Cycles

APPROVALS		DATE	http://www.dongdudz.com		 东都电子 DONGDU ELECTRONICS
DRAW:	ZRD	2017-12-6	TOLERANCE:	ANGLE:	
CHECKED:	***	****	30° ≥ ±0.30	±2°	
APPOVALS:	***	****	10°~30 ±0.20		
			5°~10 ±0.15		
			≤5 ±0.10		
MODEL:	PHONE JACKS				
PART NO:	PJ-218				
UNIT :mm	SCALE: 1:1				
REV:	A			PAGE: 1/1	