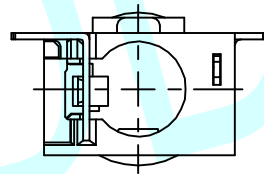
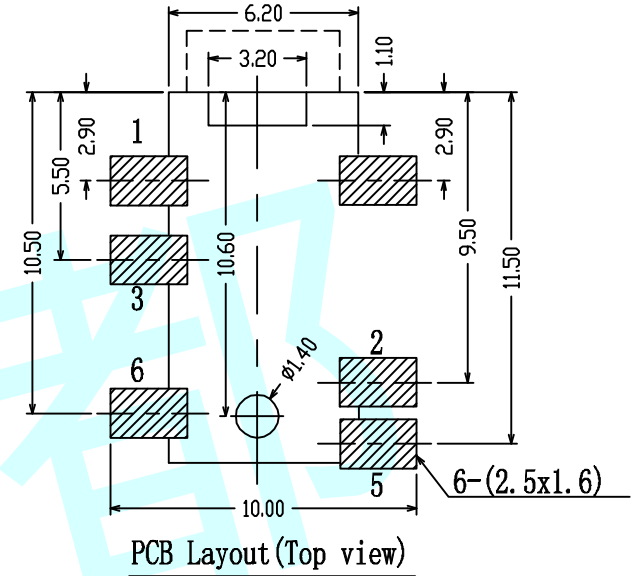
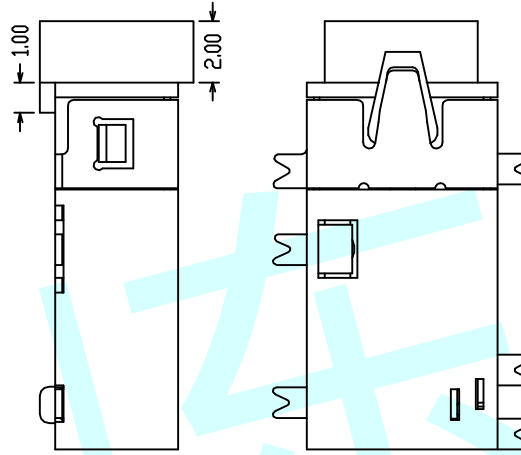
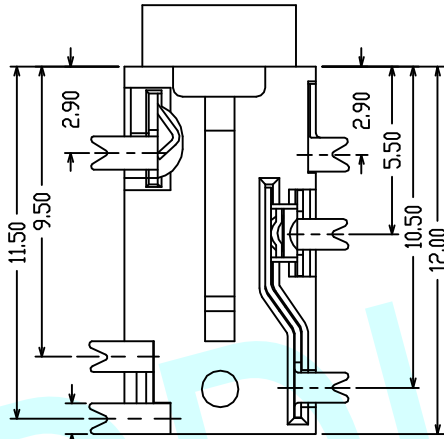
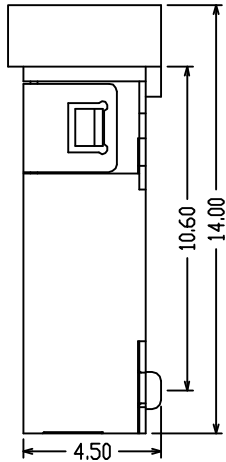
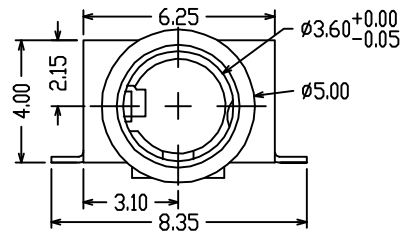
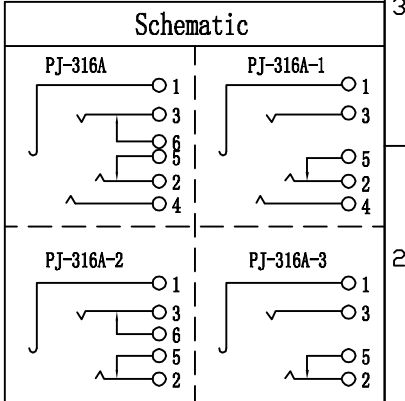
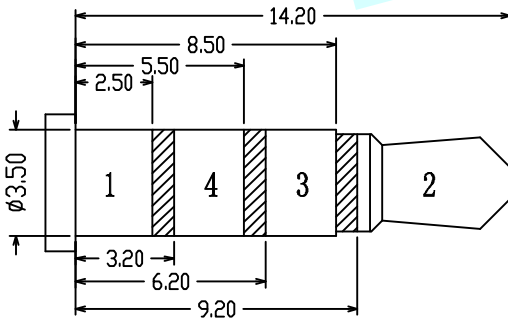


ROHS



- NOTE:**
1. Rating: 0.5A 30V DC
 2. Contact Resistance: 100mΩ Max
 3. Operating Temperature: -20°C ~ +80°C
 4. Operating Force: 3-20N
 5. Operating Life: 5,000 Cycles



| | | | | |
|------------|-----|-----------|-------------------------|--------|
| APPROVALS | | DATE | http://www.dongdudz.com | |
| DRAW: | ZRD | 2017-12-6 | TOLERANCE: | ANGLE: |
| CHECKED: | *** | **** | 30≥ ±0.30 | ±2° |
| APPROVALS: | *** | **** | 10°30 ±0.20 | |
| | | | 5°10 ±0.15 | |
| | | | ≤5 ±0.10 | |

| | |
|-----------------------------------|-------------|
| 东都电子 DONGDU ELECTRONICS | |
| MODBL: | PHONE JACKS |
| PART NO: | PJ-316A |
| UNIT :mm | SCALE:1:1 |
| REV: | A |
| | PAGE:1/1 |