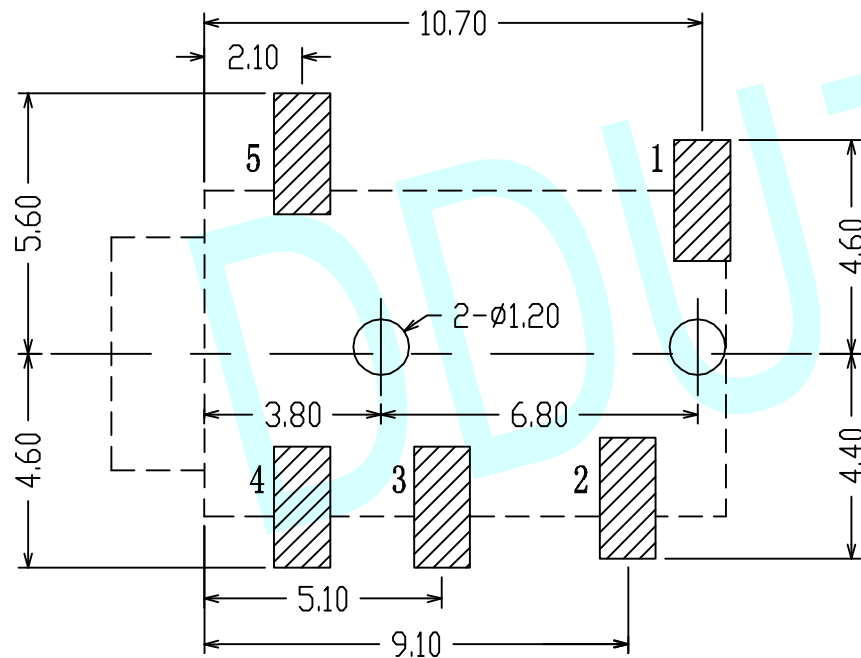
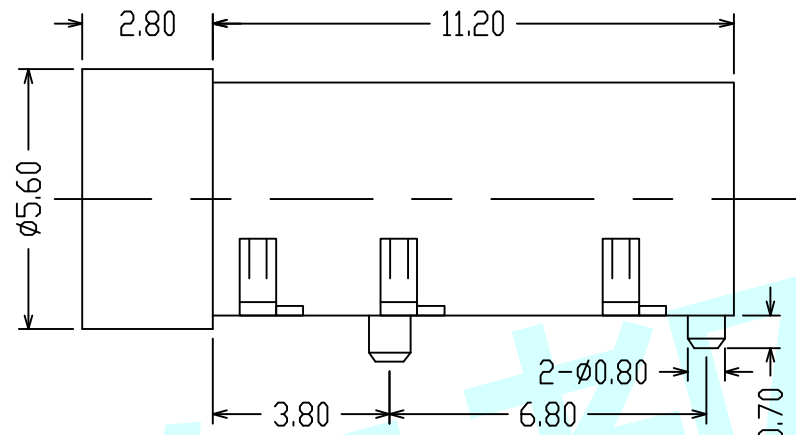
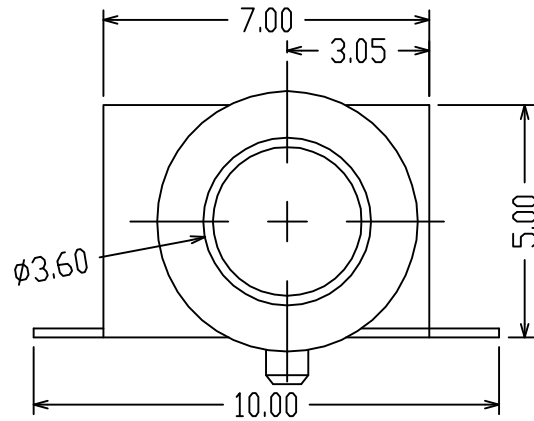


ROHS

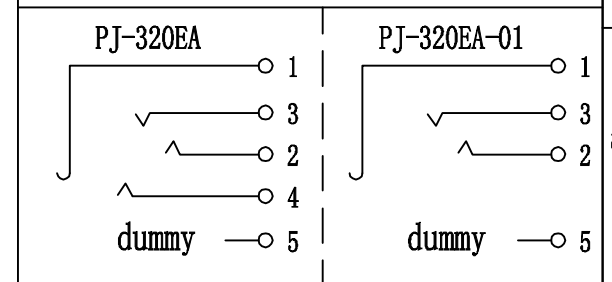


PCB Layout (Top view)

NOTE:

1. Rating: 0.5A 30V DC
2. Contact Resistance: 100mΩ Max
3. Operating Temperature: -20°C ~ 70°C
4. Operating Force: 3-20N
5. Operating Life: 5,000 Cycles

Schematic



APPROVALS		DATE	http://www.dongdudz.com	
DRAW:	ZRD	2017-12-6	TOLERANCE:	ANGLE:
CHECKED:	***	****	30° ≥ ±0.30	±2°
APPROVALS:	***	****	10°~30 ±0.20	
			5°~10 ±0.15	
			≤5 ±0.10	
				东都电子 DONGDU ELECTRONICS
MODEL:	PHONE JACKS			
PART NO:	PJ-320EA			
UNIT :mm	SCALE: 1:1			
REV:	A	PAGE: 1/1		