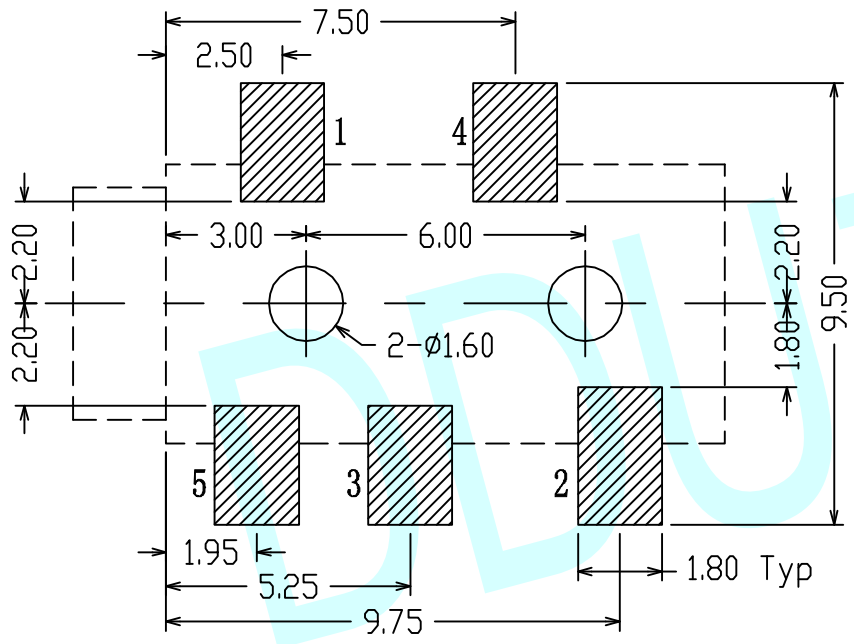
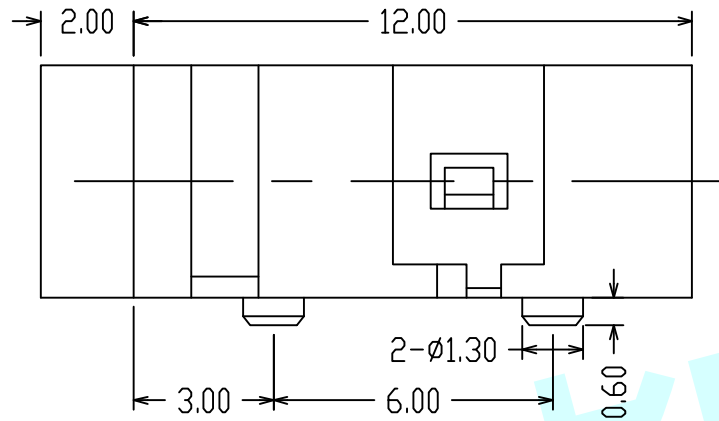
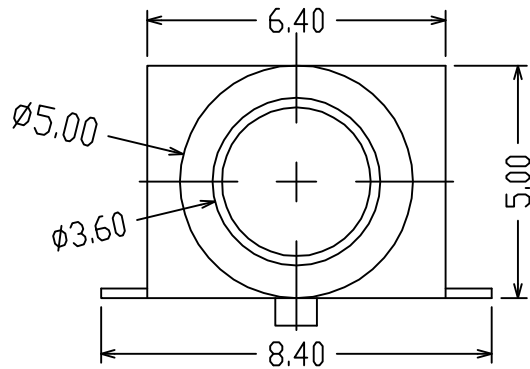
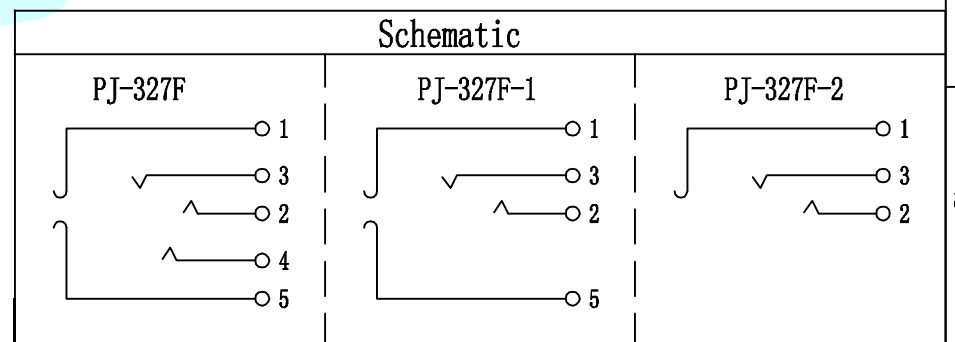


ROHS



PCB Layout (Copper-Sided View)

- NOTE:**
1. Rating: 0.5A 30V DC
 2. Contact Resistance: 100mΩ Max
 3. Operating Temperature: -20°C ~ 70°C
 4. Operating Force: 3-20N
 5. Operating Life: 5,000 Cycles



APPROVALS		DATE	http://www.dongdudz.com	
DRAW:	ZRD	2017-12-6	TOLERANCE:	ANGLE:
CHECKED:	***	****	30° ≥ ±0.30	±2°
APPROVALS:	***	****	10°~30 ±0.20	
			5°~10 ±0.15	
			≤5 ±0.10	
				东都电子 DONGDU ELECTRONICS
				MODEL: PHONE JACKETS PART NO: PJ-327F UNIT :mm SCALE: 1:1
				REV: A PAGE: 1/1