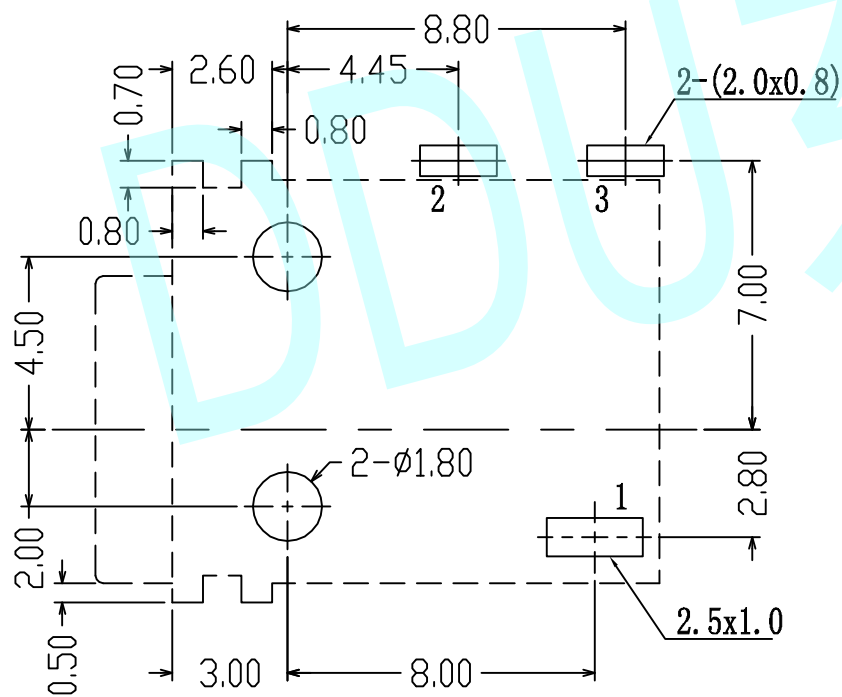
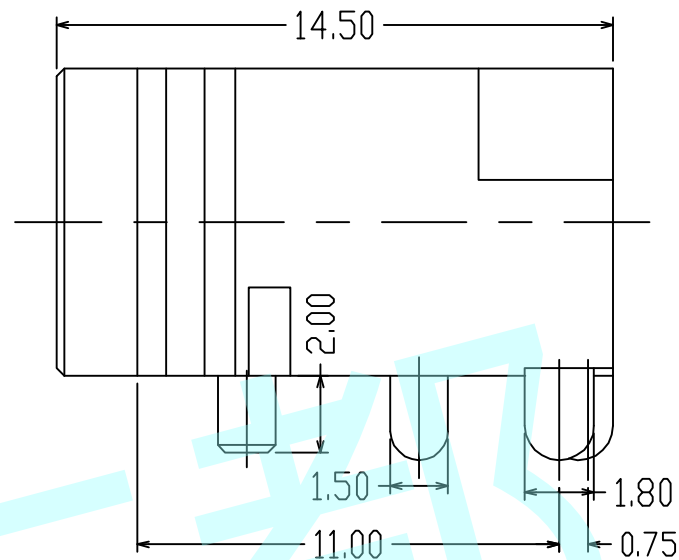
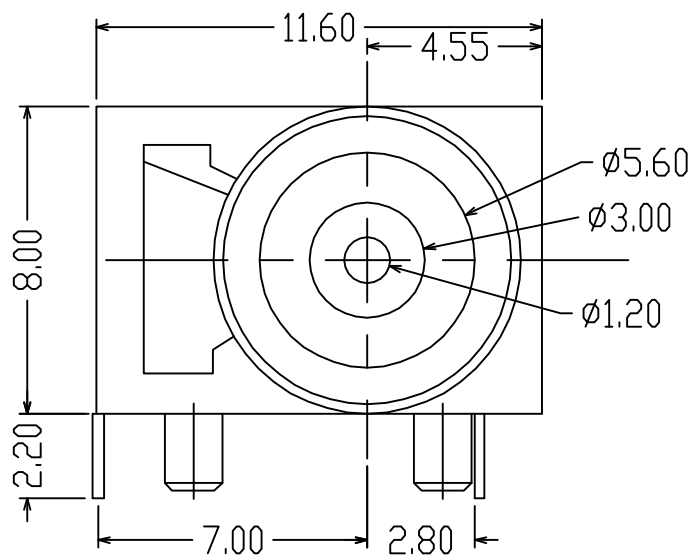


**ROHS**



PCB Layout (Copper-Side View)

**NOTES:**

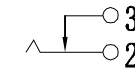
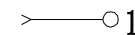
1. Rating: 0.5A 30V DC
2. Contact Resistance: 100mΩ Max
3. Operating temperature: -20°C~70°C
4. Operating force: 3-20N
5. Operating Life: 5,000 cycles

DC-080-B





CIRCUIT DIAGRAM

DC-080-A



CIRCUIT DIAGRAM

APPROVALS		DATE	http://www.dongdudz.com	
DRAW:	ZRD	2017-12-6	TOLERANCE:	ANGLE:
CHECKED:	***	***	30≥ ±0.30	±2°
APPOVALS:	***	***	10~30 ±0.20	
			5~10 ±0.15	
			≤5 ±0.10	
				 <b>东都电子</b> DONGDU ELECTRONICS
MODEL:	DC POWER JACK			
PART NO:	DC-080			
UNIT :mm	SCALE:1:1			
REV:	A	PAGE:1/1		