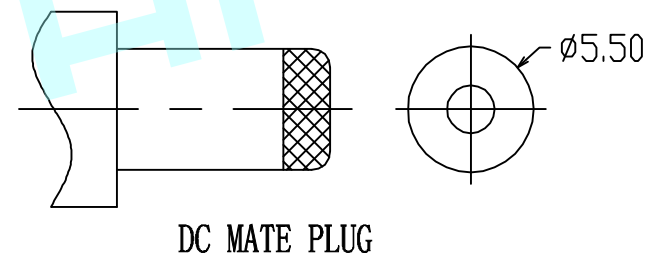
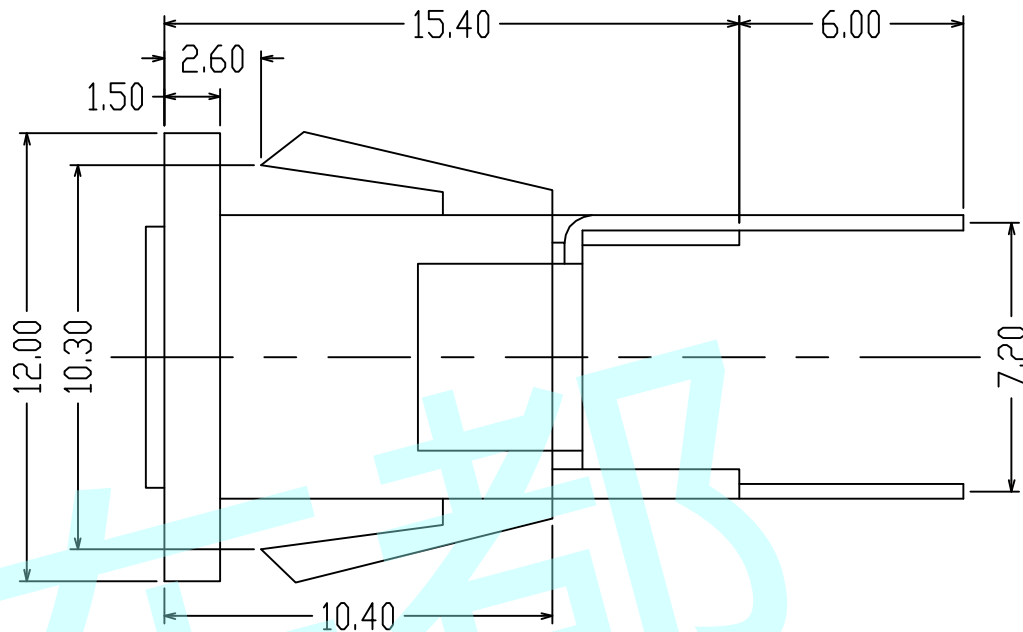
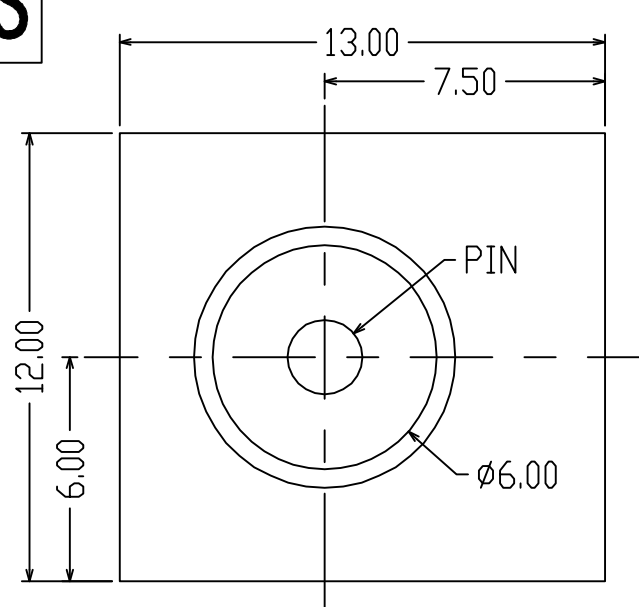
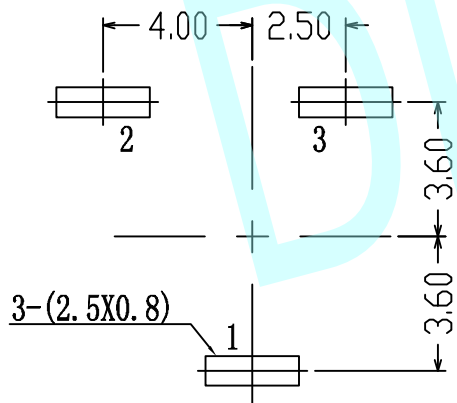


ROHS




NOTES:

1. Rating: 0.5A 30V DC
2. Contact Resistance: 100mΩ Max
3. Operating temperature: -20°C ~ 70°C
4. Operating force: 3-20N
5. Operating Life: 5,000 cycles



PCB Layout (Copper-Side View)

| | | PIN | | Ø2.00 | | Ø2.50 | |
|-----------|-----|-----------|--|---|-------|---|--|
| APPROVALS | | DATE | | http://www.dongdudz.com | | | |
| DRAW: | ZRD | 2017-12-6 | | TOLERANCE: | | ANGLE: | |
| CHECKED: | *** | *** | | 30≥ | ±0.30 | ±2° | |
| APPOVALS: | *** | *** | | 10~30 | ±0.20 | | |
| | | | | 5~10 | ±0.15 | | |
| | | | | ≤5 | ±0.10 | | |
| | | | | | |  ® 东都电子 DONGDU ELECTRONICS | |
| | | | | MODEL: | | DC POWER JACK | |
| | | | | PART NO: | | DC-068 | |
| | | | | UNIT :mm | | SCALE: 1:1 | |
| | | | | REV: | | A | |
| | | | | | | PAGE: 1/1 | |