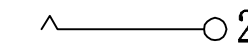
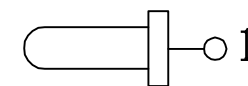
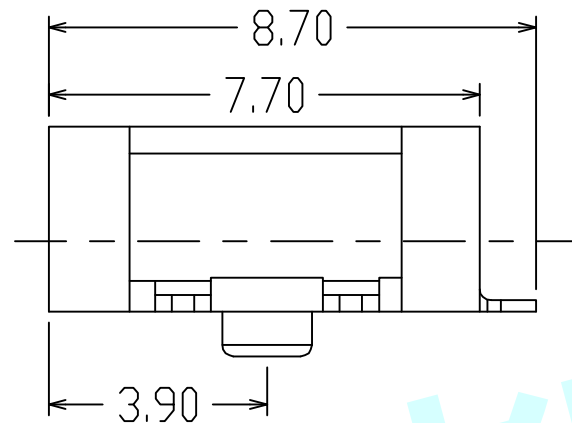
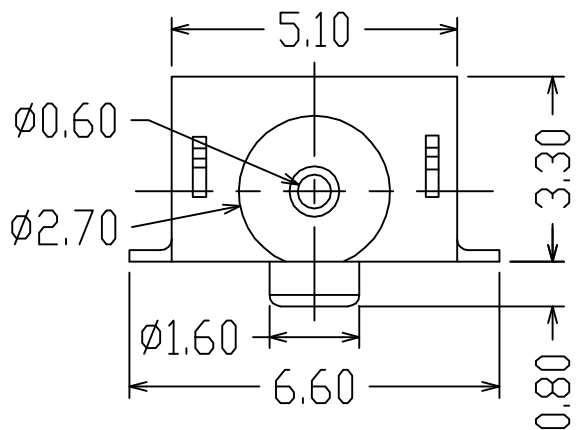
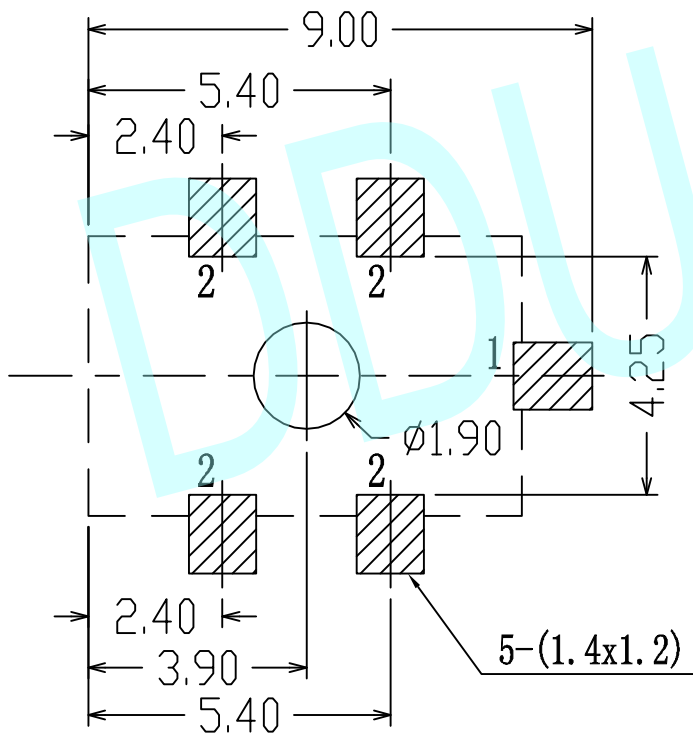


ROHS




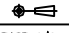
CIRCUIT DIAGRAM



PCB Layout Top View

NOTES:

1. Rating: 0.5A 30V DC
2. Contact Resistance: 100mΩ Max
3. Operating temperature: -20°C ~ 70°C
4. Operating force: 3-20N
5. Operating Life: 5,000 cycles

APPROVALS		DATE	http://www.dongdudz.com	
DRAW:	ZRD	2017-12-6	TOLERANCE:	ANGLE:
CHECKED:	***	***	30° ≥ ±0.30	±2°
APPOVALS:	***	***	10°~30 ±0.20	
			5°~10 ±0.15	
			≤5 ±0.10	
		 <b>® 东都电子</b> DONGDU ELECTRONICS		1
MODEL:		DC POWER JACK		
PART NO:		DC-062		
UNIT :mm	SCALE:1:1			
REV:	A			PAGE:1/1