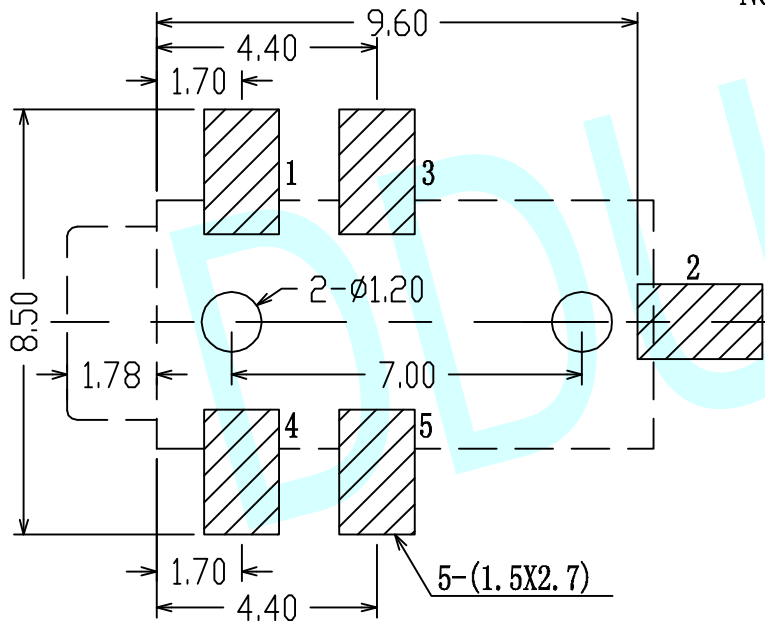
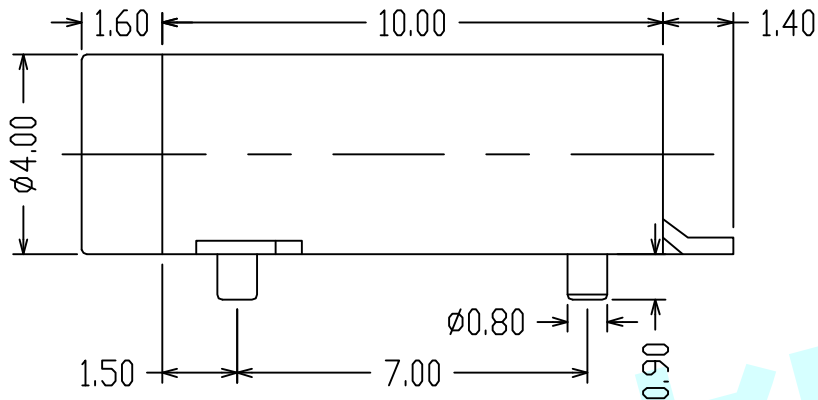
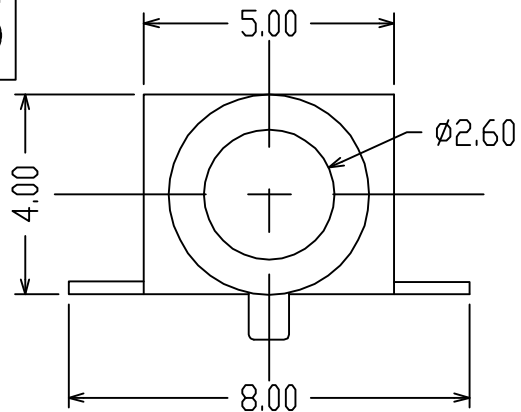


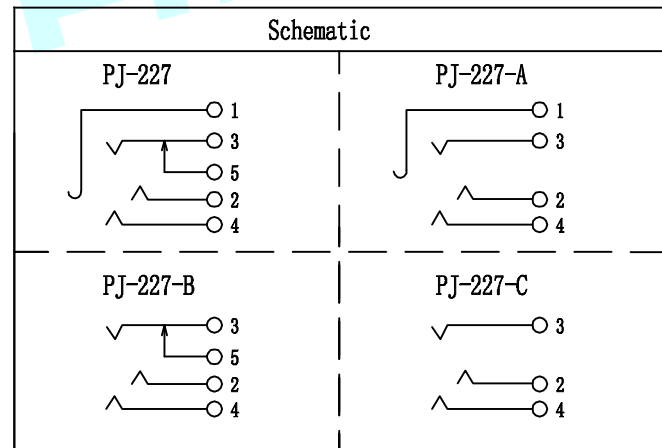
ROHS




PCB Layout (Copper-Sided View)

NOTES:

1. Rating :DC 0.5A 30V
2. Contact Resistance :100mΩ Max
3. Operating Temperature:-20℃~70℃
4. Operating Force:3-20N
5. Operating Life:5000 Cycles



APPROVALS		DATE	http://www.dongdudz.com	
DRAW:	ZRD	2017-12-6	TOLERANCE:	ANGLE:
CHECKED:	***	****	30° ≥ ±0.30	±2°
APPROVALS:	***	****	10°~30 ±0.20	
			5°~10 ±0.15	
			≤5 ±0.10	
 ® 东都电子 DONGDU ELECTRONICS		MODEL: PHONE JACKS PART NO: PJ-227 UNIT :mm SCALE:1:1 REV: A PAGE:1/1		