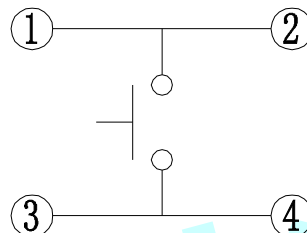
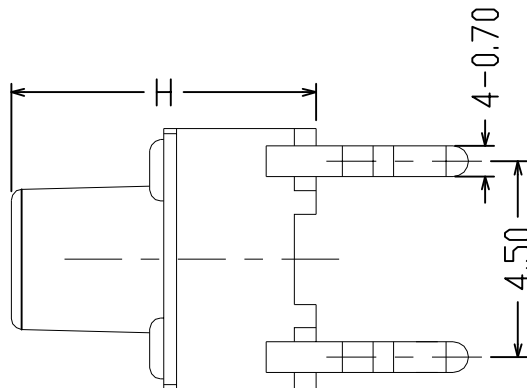
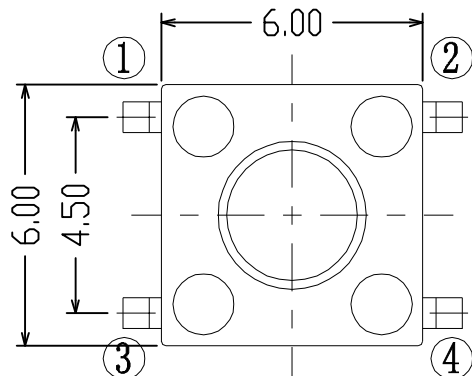
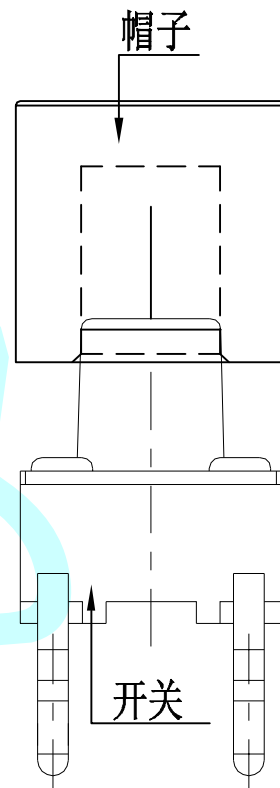


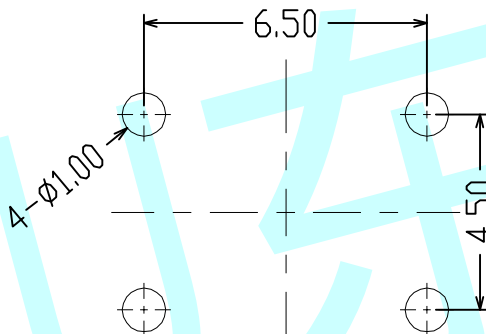
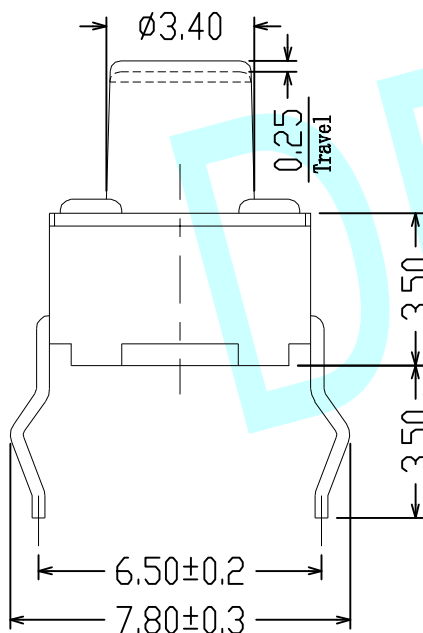
ROHS



Circuit Diagram



装配图


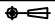


PCB Layout (Pattern Side)

NOTES :

1. Rating: DC 12V 50mA
2. Contact resistance: $\leq 100m\Omega$
3. Insulation resistance: $\geq 100M\Omega$
5. Voltage withstand: AC 250V 1min
6. Welding heat resistance:
Welding temperature: $235\pm 5^{\circ}C$
Welding time: $3S\pm 0.5S$
7. Life: $\geq 40,000$ cycles

H	13.50	14.00	15.00	15.50	16.00	17.00	18.00	19.00		
	8.50	9.00	9.50	10.00	10.50	11.00	11.50	12.00	12.50	13.00
	4.00	4.30	4.50	5.00	5.50	6.00	6.50	7.00	7.50	8.00
Stergth	90 \pm 30		130 \pm 30		180 \pm 30		250 \pm 30		350 \pm 50	

APPROVALS		DATE	http://www.dongdudz.com		
DRAW:	ZRD	2017-12-6	TOLERANCE:		ANGLE:
CHECKED:	***	****	30 \geq	± 0.30	$\pm 2^{\circ}$
APPOVALS:	***	****	10 \sim 30	± 0.20	
			5 \sim 10	± 0.15	
			≤ 5	± 0.10	
 东都电子 DONGDU ELECTRONICS		MODEL:		TACT SWITCHES	
		PART NO:		DDU-1199	
UNIT :mm		SCALE: 1:1			
REV:		A		PAGE: 1/1	