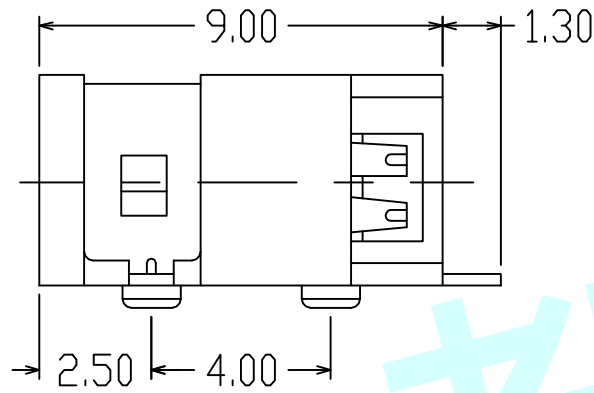
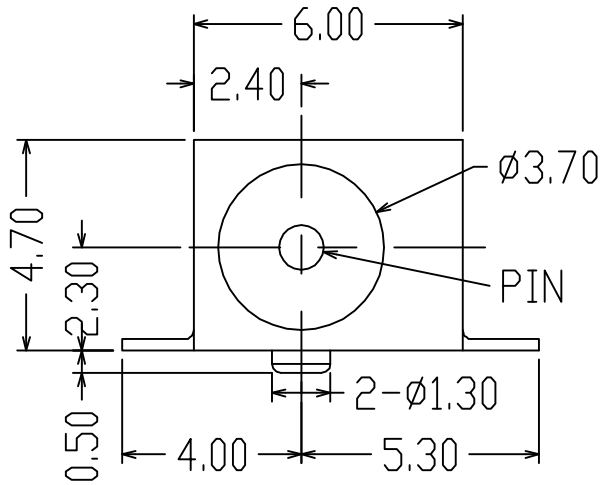
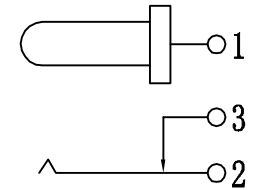


ROHS

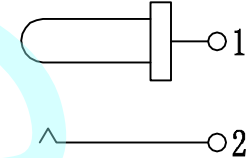


DC-045B-A

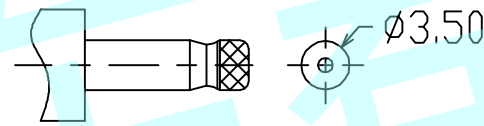


CIRCUIT DIAGRAM

DC-045B-B



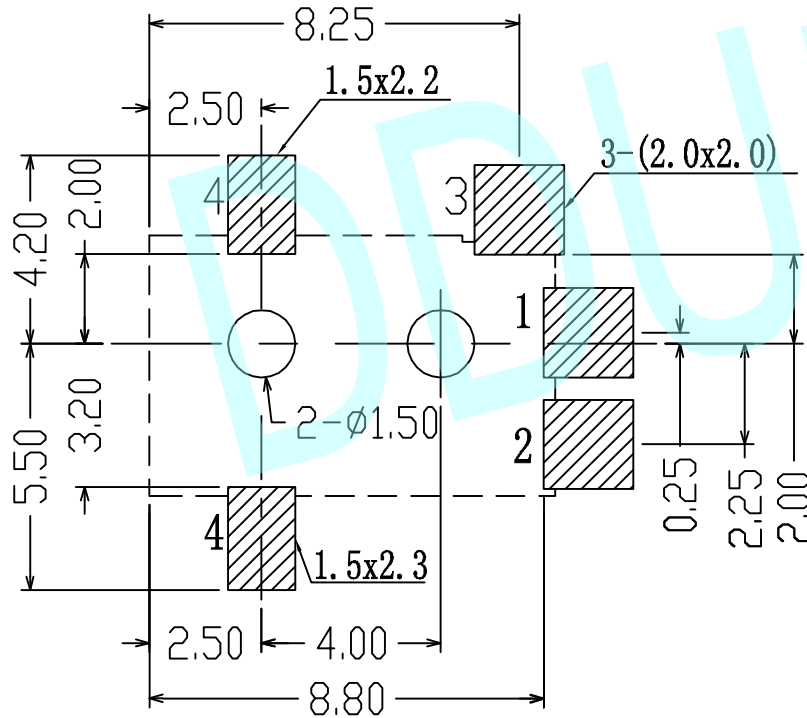
CIRCUIT DIAGRAM



DC MATE PLUG


NOTES:

1. Rating: 0.5A 30V DC
2. Contact Resistance: 100mΩ Max
3. Operating temperature: -20°C ~ 70°C
4. Operating force: 3-20N
5. Operating Life: 5,000 cycles



PCB Layout (Copper-Side View)

PIN	Ø1.00	Ø1.30
-----	-------	-------

APPROVALS		DATE	http://www.dongdudz.com		 东都电子 DONGDU ELECTRONICS
DRAW:	ZRD	2017-12-6	TOLERANCE:	ANGLE:	
CHECKED:	***	***	30≥	±0.30	
APPOVALS:	***	***	10°~30	±0.20	
			5°~10	±0.15	
			≤5	±0.10	±2°
MODEL:	DC POWER JACK				
PART NO:	DC-045B				
UNIT :mm	SCALE:1:1				
REV:	A			PAGE:1/1	