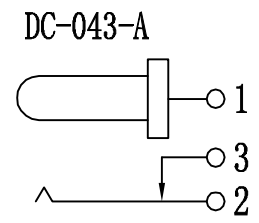
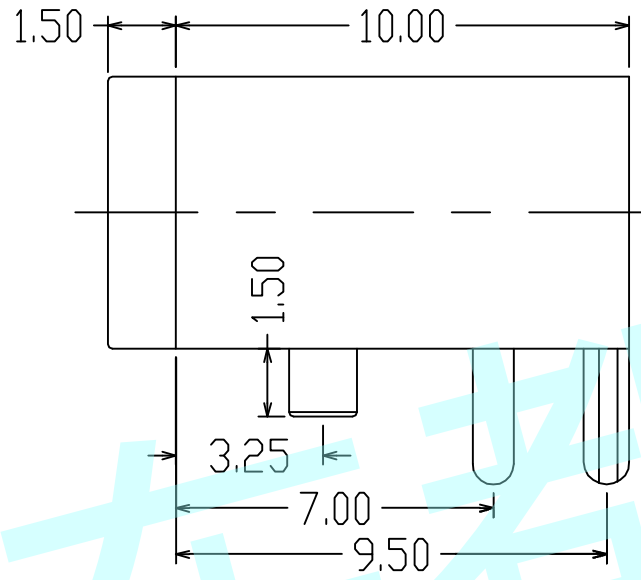
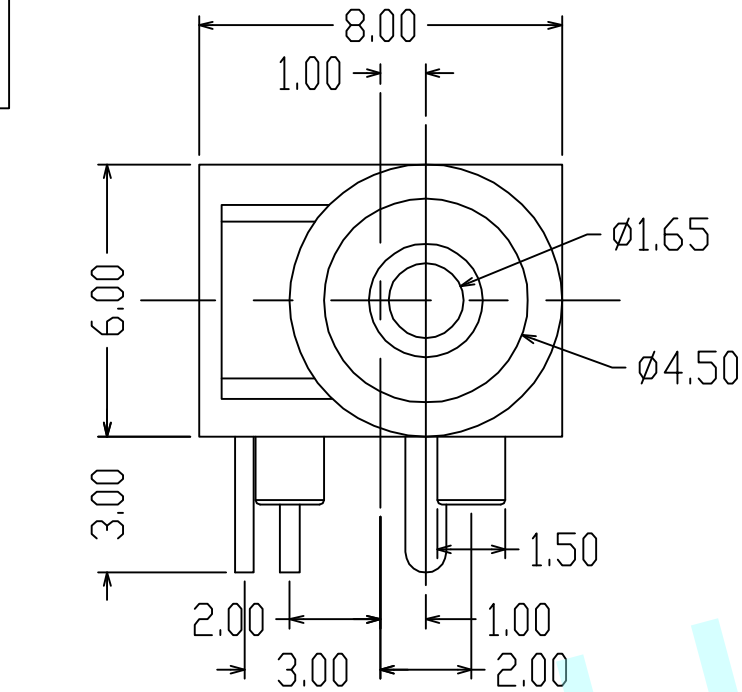
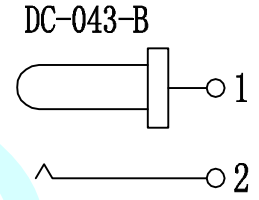


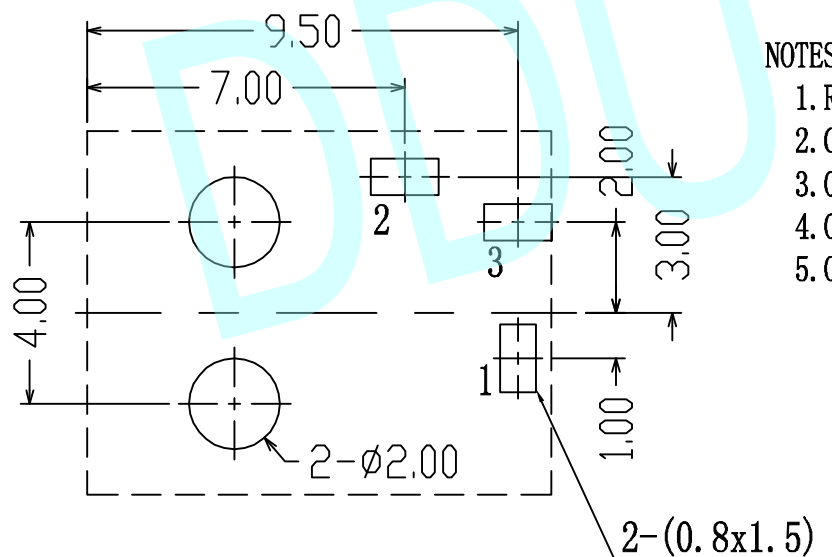
ROHS



CIRCUIT DIAGRAM

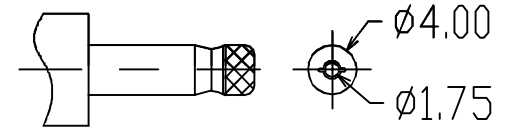


CIRCUIT DIAGRAM



PCB Layout (Copper-Side View)

- NOTES:**
1. Rating: 0.5A 30V DC
 2. Contact Resistance: 100mΩ Max
 3. Operating temperature: -20°C~70°C
 4. Operating force: 3-20N
 5. Operating Life: 5,000 cycles



DC MATE PLUG

APPROVALS		DATE	http://www.dongdudz.com		<p>® 东都电子 DONGDU ELECTRONICS</p>	
DRAW:	ZRD	2017-12-6	TOLERANCE:	ANGLE:		
CHECKED:	***	***	30≥	±0.30		±2°
APPOVALS:	***	***	10~30	±0.20		
			5~10	±0.15		
			≤5	±0.10		
MODEL:	DC POWER JACK		PART NO:	DC-043		
UNIT :	mm	SCALE:	1:1			
REV:	A	PAGE:	1/1			