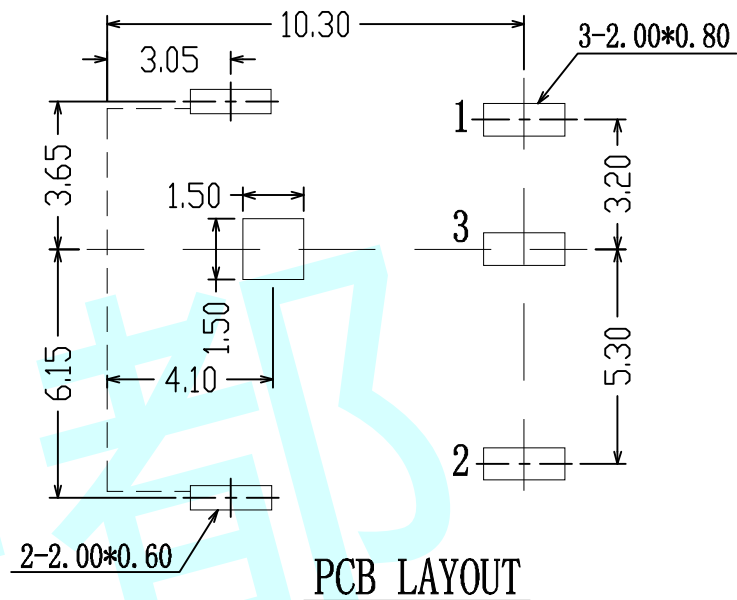
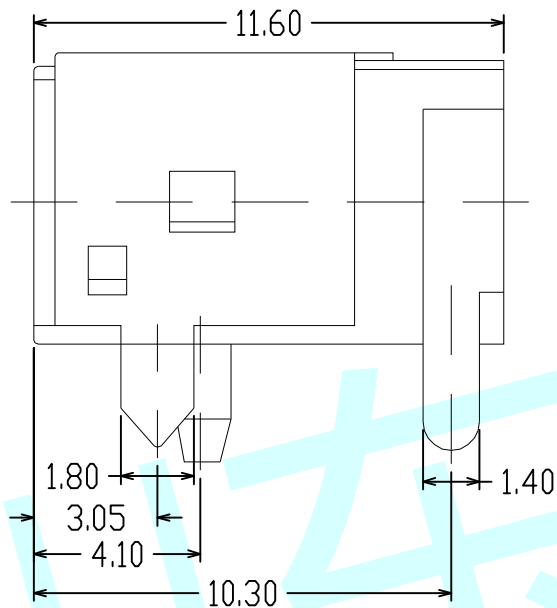
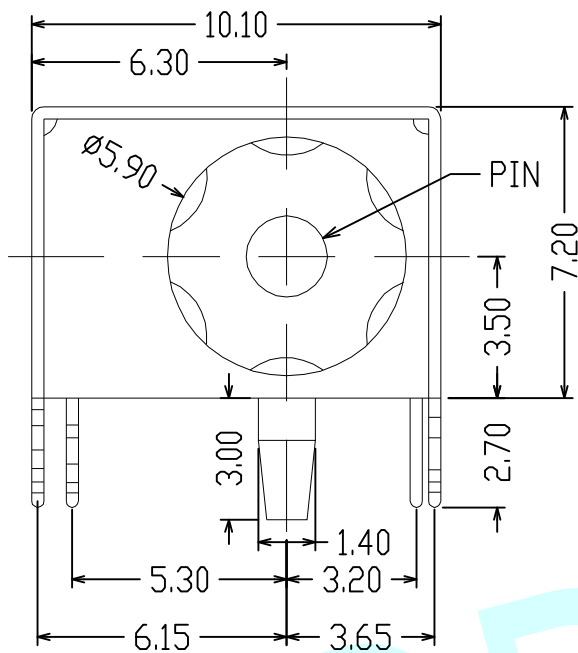
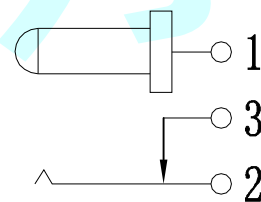


**ROHS**




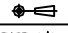
**NOTES:**

1. Rating: DC 30V 5A
2. Contact resistance: 100mΩ max
3. Operating temperature: -30°C ~ +70°C
4. Operating force: 3 ~ 20N
5. Operating life: 5000 cycles



CIRCUIT DIAGRAM

Model No.	DC-044C-2.0	DC-044C-2.5
PIN	ø2.00	ø2.50

APPROVALS		DATE	http://www.dongdudz.com		 <b>® 东都电子</b> DONGDU ELECTRONICS	
DRAW:	ZRD	2017-12-6	TOLERANCE:	ANGLE:		
CHECKED:	***	****	30°	±0.30		±2°
APPOVALS:	***	****	10°30'	±0.20		
			5°10'	±0.15		
			≤5	±0.10	MODEL: DC POWER JACK PART NO: DC-044C UNIT :mm SCALE: 1:1  REV: A PAGE: 1/1	