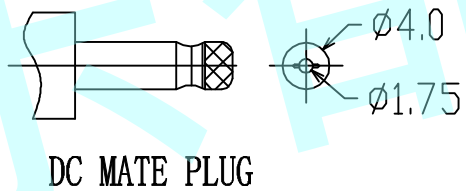
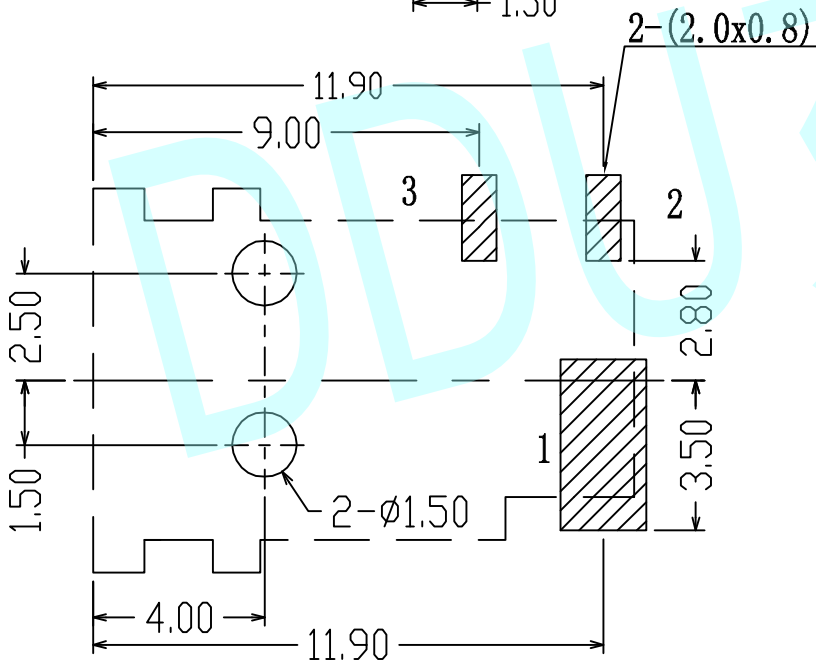
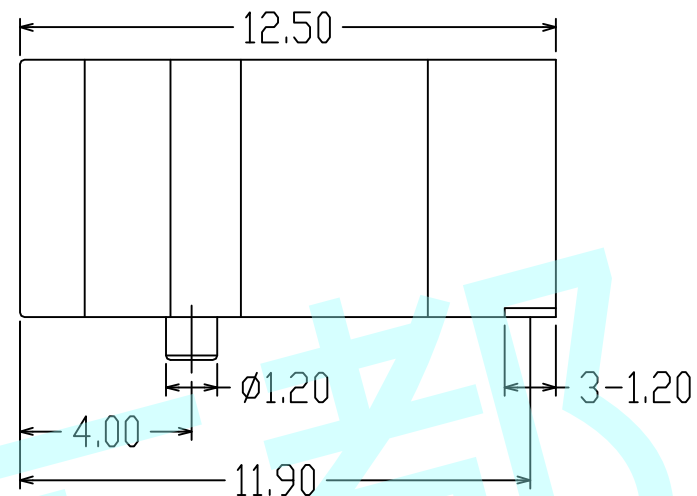
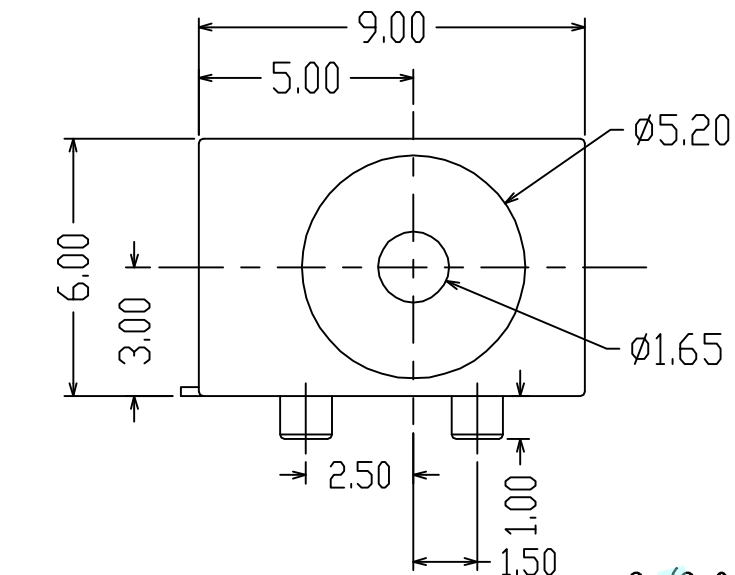

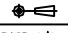


ROHS



- NOTES:**
1. Rating: 0.5A 30V DC
 2. Contact Resistance: 100mΩ Max
 3. Operating temperature: -20°C ~ 70°C
 4. Operating force: 3-20N
 5. Operating Life: 5,000 cycles

PCB LAYOUT (Copper-side view)

APPROVALS		DATE	http://www.dongdudz.com	
DRAW:	ZRD	2017-12-6	TOLERANCE:	ANGLE:
CHECKED:	***	***	30° ≥ ±0.30	±2°
APPOVALS:	***	***	10°~30 ±0.20	
			5°~10 ±0.15	
			≤5 ±0.10	
				 ® 东都电子 DONGDU ELECTRONICS
				MODEL: DC POWER JACK PART NO: DC-049A UNIT :mm SCALE: 1:1  REV: A PAGE: 1/1