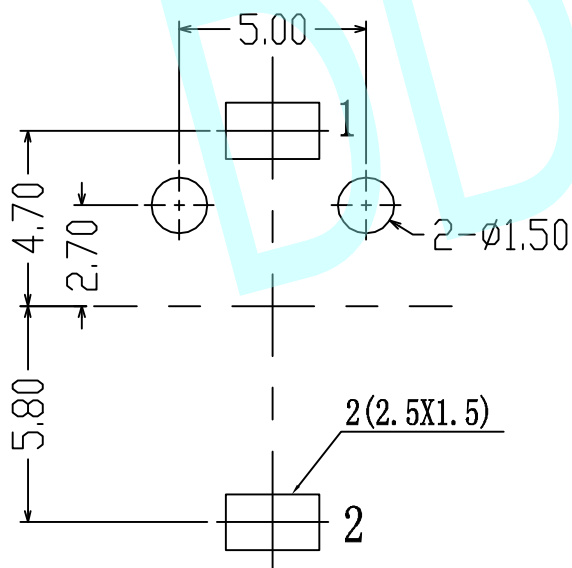
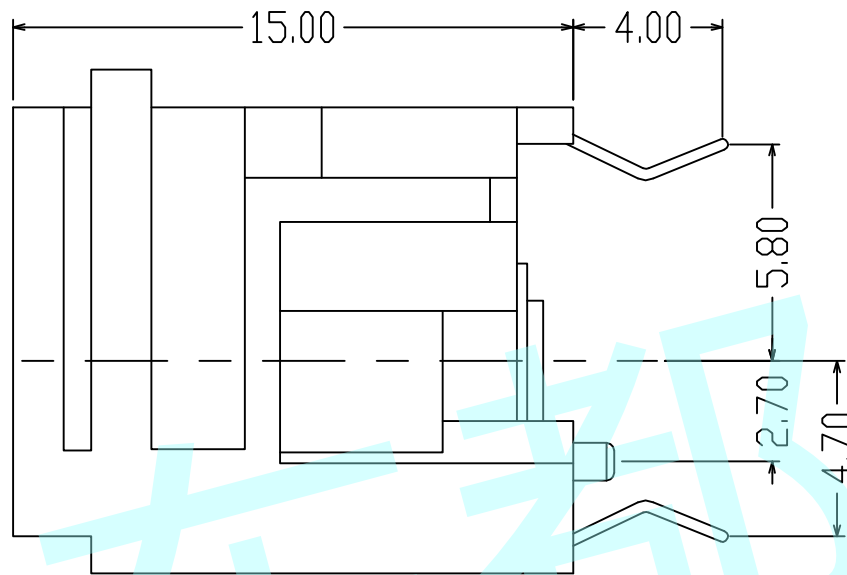
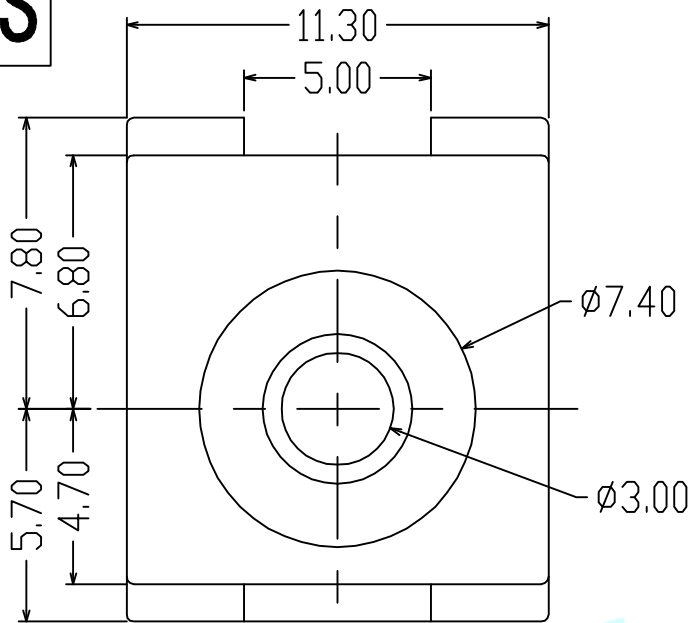


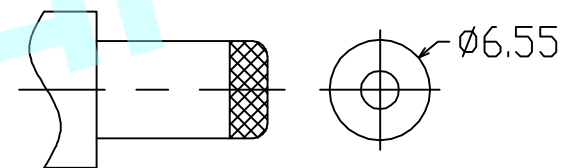
ROHS



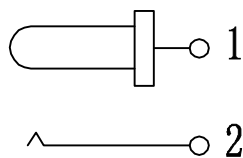
PCB Layout (Copper-Side View)

NOTES:

1. Rating: 0.5A 30V DC
2. Contact Resistance: 100mΩ Max
3. Operating temperature: -20°C~70°C
4. Operating force: 3-20N
5. Operating Life: 5,000cycles



DC MATE PLUG



CIRCUIT DIAGRAM

APPROVALS		DATE	http://www.dongdudz.com	
DRAW:	ZRD	2017-12-6	TOLERANCE:	ANGLE:
CHECKED:	***	***	30≥ ±0.30	±2°
APPOVALS:	***	***	10~30 ±0.20	
			5~10 ±0.15	
			≤5 ±0.10	
® 东都电子 DONGDU ELECTRONICS		MODEL: DC POWER JACK PART NO: DC-024 UNIT :mm SCALE: 1:1 REV: A PAGE: 1/1		