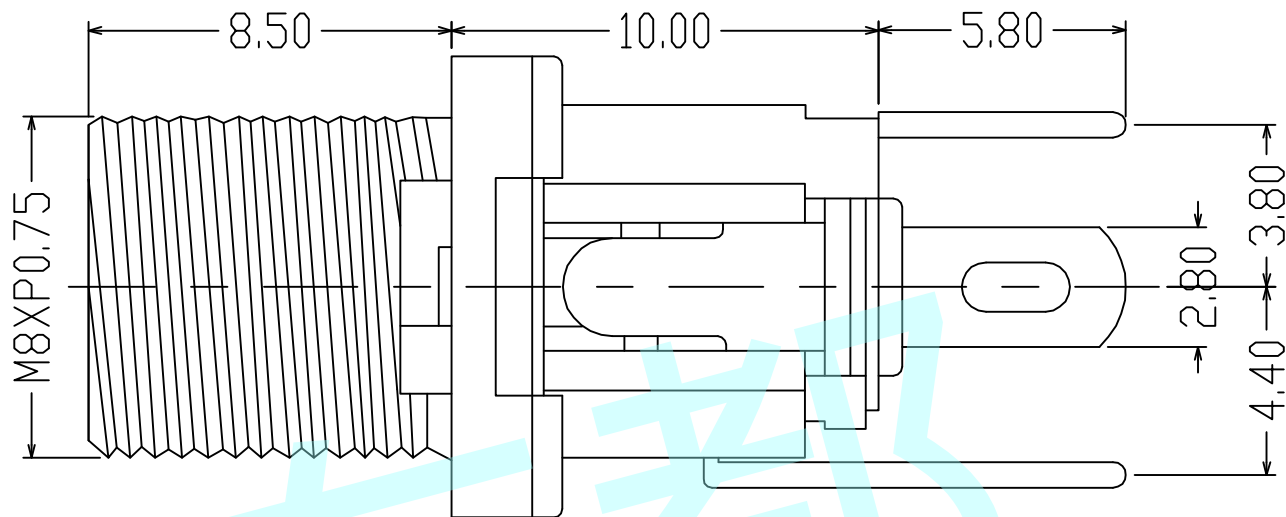
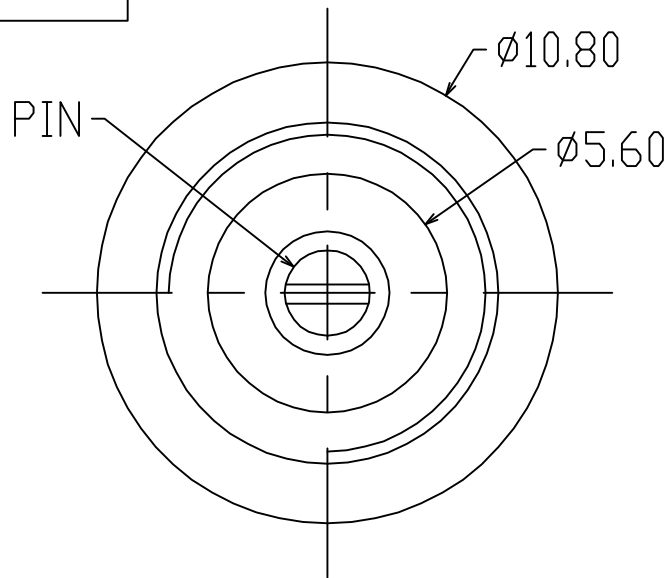


**ROHS**

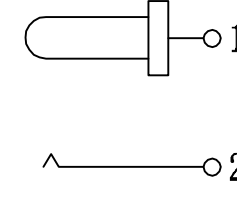
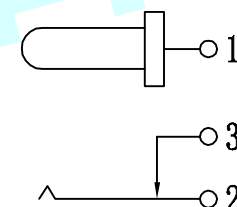


**NOTES:**

1. Rating: DC 0.5A 30V
2. Contact Resistance: 100mΩ Max.
3. Operating temperature: -20°C~70°C
4. Operating force: 3-20N
5. Operating Life: 5,000 cycles

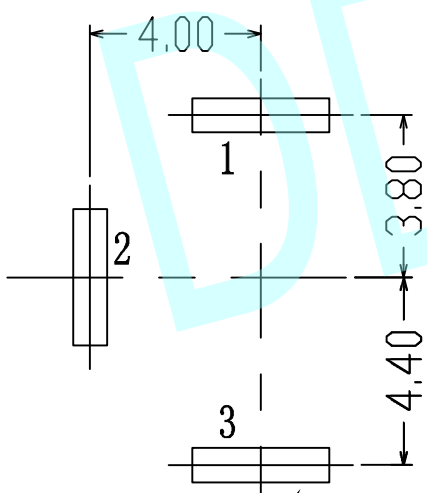
DC-025B-A

DC-025B-B



CIRCUIT DIAGRAM

CIRCUIT DIAGRAM



3-(3.2X0.8)

PCB Layout (Copper-Side View)

|           |     | PIN                        | ø2.00                   | ø2.35    | ø2.50  |
|-----------|-----|----------------------------|-------------------------|----------|--------|
| APPROVALS |     | DATE                       | http://www.dongdudz.com |          |        |
| DRAW:     | ZRD | 2017-12-6                  | TOLERANCE:              |          | ANGLE: |
| CHECKED:  | *** | ***                        | 30≥                     | ±0.30    | ±2°    |
| APPOVALS: | *** | ***                        | 10~30                   | ±0.20    |        |
|           |     |                            | 5~10                    | ±0.15    |        |
|           |     |                            | ≤5                      | ±0.10    |        |
|           |     | 东都电子<br>DONGDU ELECTRONICS |                         |          |        |
| MODBL:    |     | DC POWER JACK              |                         |          |        |
| PART NO:  |     | DC-025B                    |                         |          |        |
| UNIT :mm  |     | SCALE:1:1                  |                         |          |        |
| REV:      |     | A                          |                         | PAGE:1/1 |        |