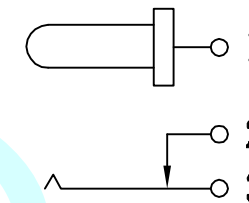
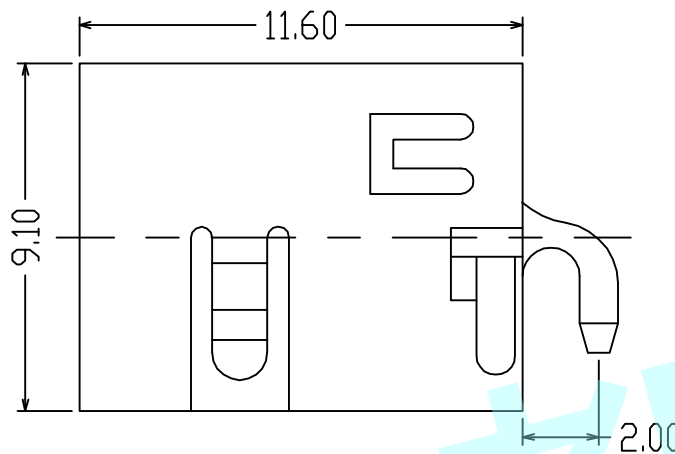
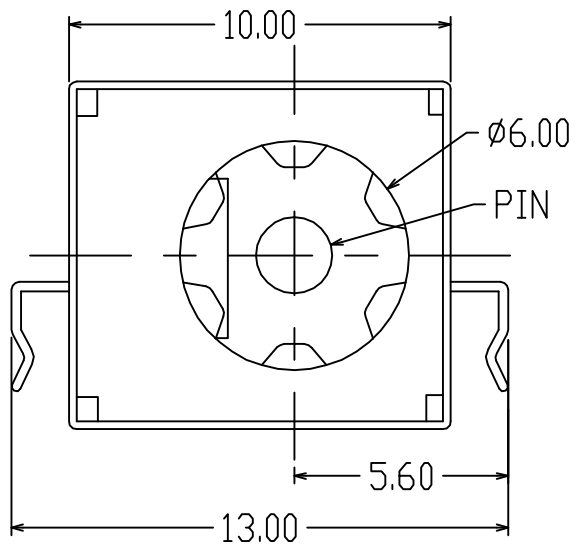
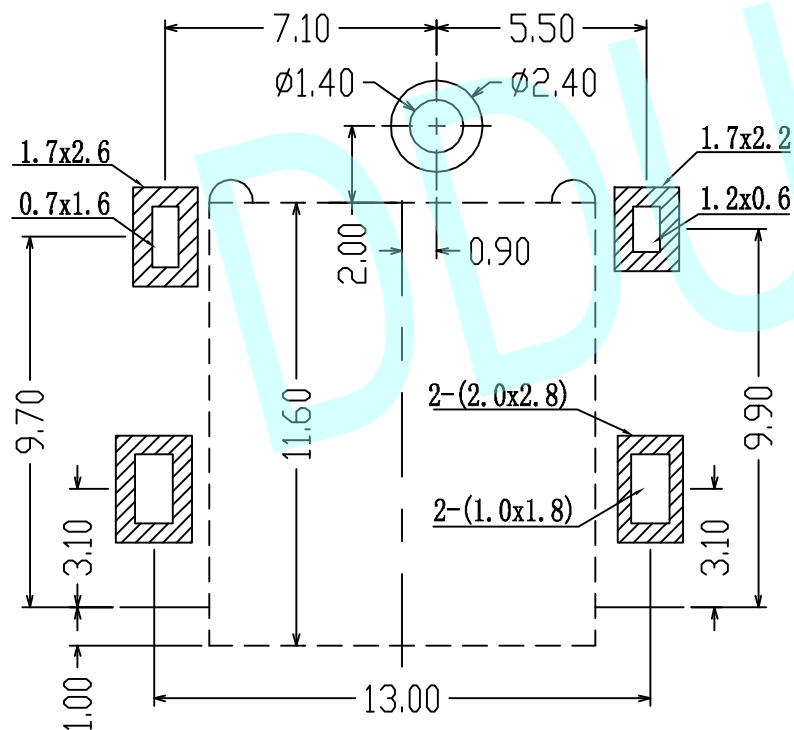


ROHS




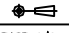
CIRCUIT DIAGRAM



PCB Layout Top View

NOTES:

1. Rating: 0.5A 30V DC
2. Contact Resistance: 100mΩ Max
3. Operating temperature: -20°C ~ 70°C
4. Operating force: 3-20N
5. Operating Life: 5000 cycles

		PIN	ø1.65	ø2.00	ø2.50
APPROVALS		DATE	http://www.dongdudz.com		
DRAW:	ZRD	2017-12-6	TOLERANCE:	ANGLE:	
CHECKED:	***	***	30≥	±0.30	±2°
APPOVALS:	***	***	10~30	±0.20	
			5~10	±0.15	
			≤5	±0.10	
				 ® 东都电子 DONGDU ELECTRONICS	
				MODEL: DC POWER JACK PART NO: DC-028A UNIT :mm SCALE:1:1  REV: A PAGE:1/1	