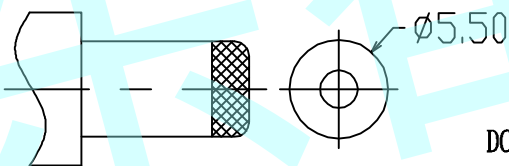
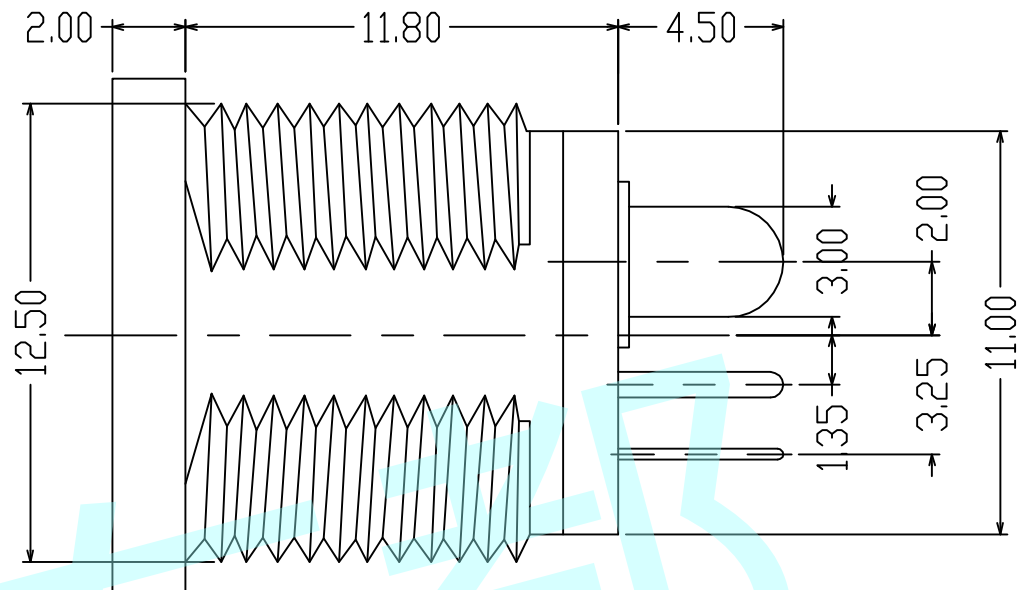
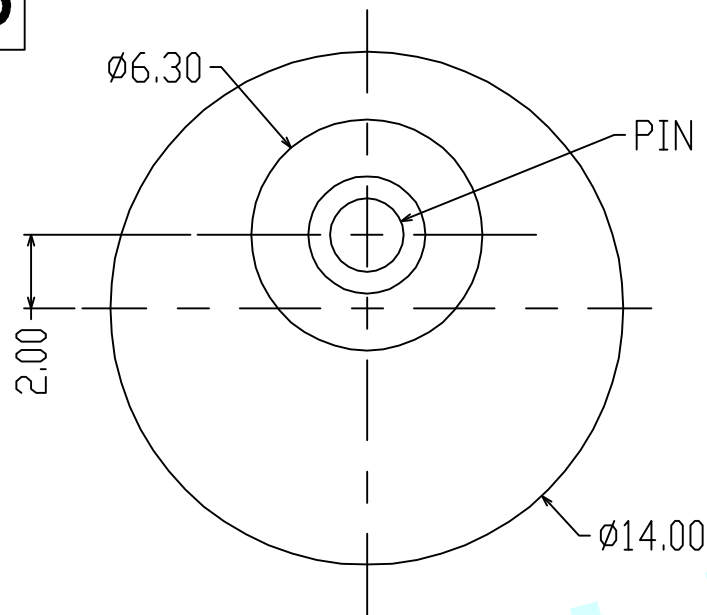
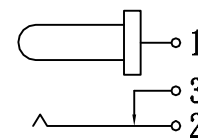


**ROHS**



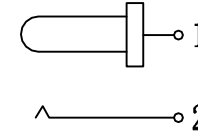
DC MATE PLUG

DC-022-A

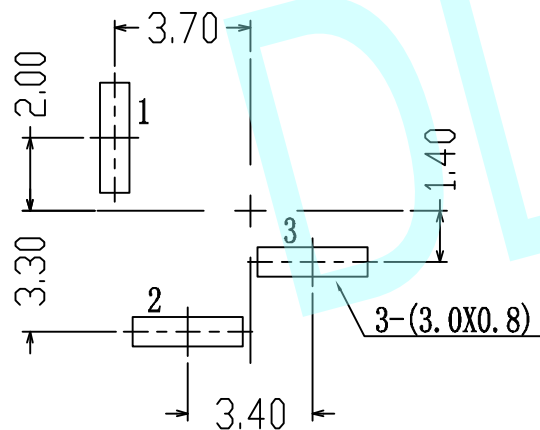


CIRCUIT DIAGRAM

DC-022-B




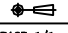
CIRCUIT DIAGRAM



PCB Layout (Copper-Side View)

**NOTES:**

1. Rating: 0.5A 30V DC
2. Contact Resistance: 100mΩ Max
3. Operating temperature: -20°C ~ 70°C
4. Operating force: 3-20N
5. Operating Life: 5,000 cycles

		PIN	∅2.00	∅2.35	∅2.50		
APPROVALS		DATE				http://www.dongdudz.com	
DRAW:	ZRD	2017-12-6		TOLERANCE:	ANGLE:		
CHECKED:	***	***		30°	±0.30	±2°	
APPOVALS:	***	***		10°30'	±0.20		
				5°10'	±0.15		
				≤5	±0.10		
				 <b>® 东都电子</b> DONGDU ELECTRONICS			
		MODBL:		DC POWER JACK			
		PART NO:		DC-022			
		UNIT :mm		SCALE: 1:1			
		REV:		A	PAGE: 1/1		