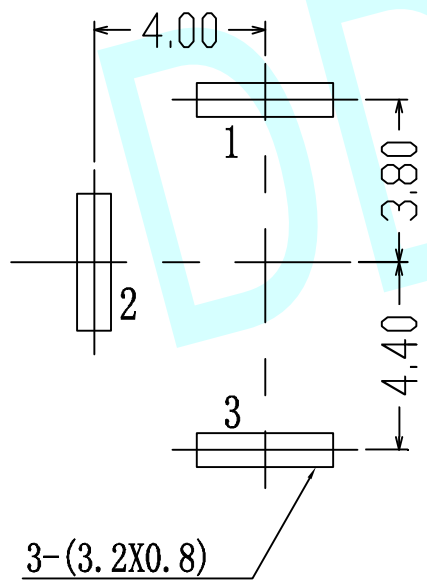
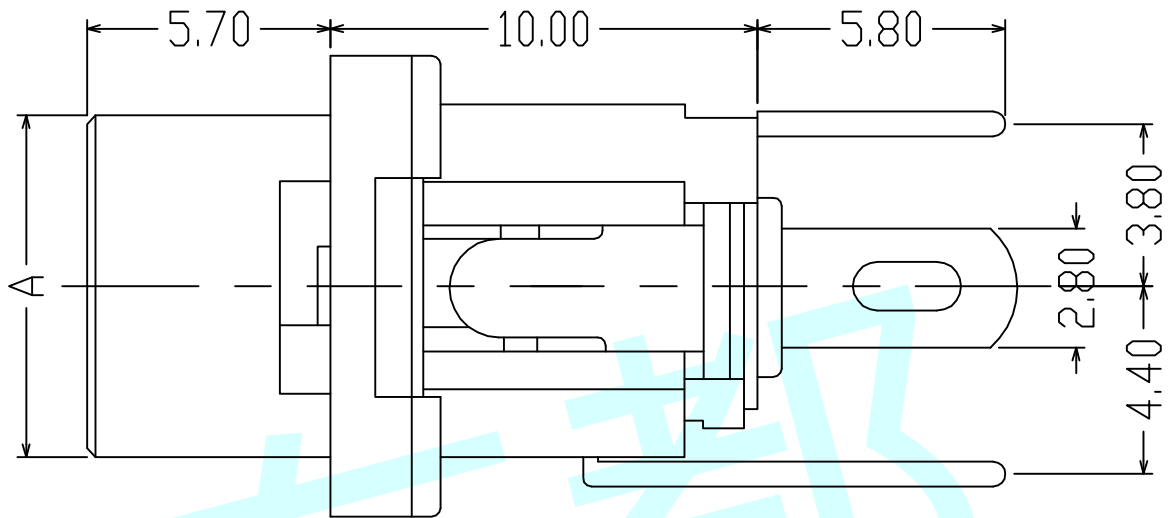
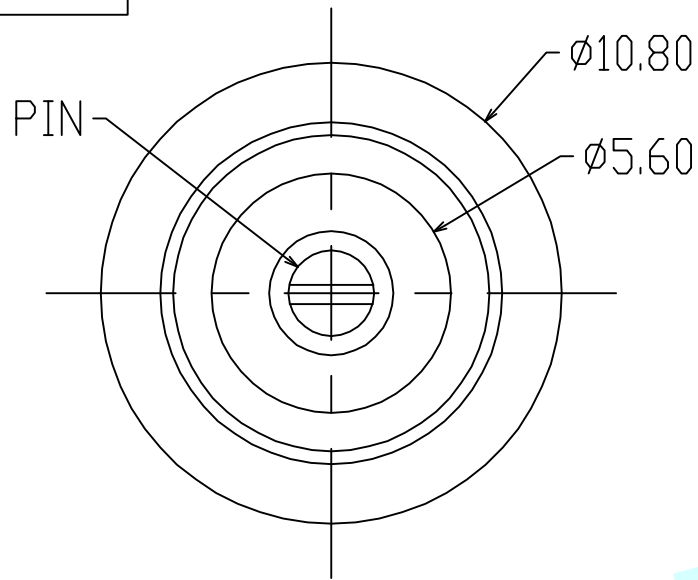


**ROHS**

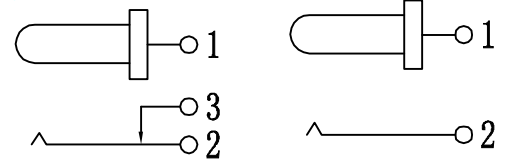


**NOTES:**

1. Rating:0.5A 30V DC
2. Contact Resistance:100m $\Omega$  Max
3. Operating temperature:-20 $^{\circ}$ C~70 $^{\circ}$ C
4. Operating force:3-20N
5. Operating Life:5,000cycles


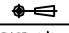
DC-025A-A

DC-025A-B



CIRCUIT DIAGRAM

P.C.B Layout (Copper-Side View)

			A	$\phi 8.00$	M8XP0.75		
	PIN		$\phi 2.00$	$\phi 2.35$	$\phi 2.50$		
APPROVALS	DATE	http://www.dongdudz.com		 <b>® 东都电子</b> DONGDU ELECTRONICS			
DRAW:	ZRD	2017-12-6	TOLERANCE:			ANGLE:	
CHECKED:	***	****	30 $\geq$			$\pm 0.30$	$\pm 2^{\circ}$
			10 $\sim$ 30			$\pm 0.20$	
			5 $\sim$ 10			$\pm 0.15$	
APPOVALS:	***	****	$\leq 5$	$\pm 0.10$			
MODEL:	DC POWER JACK						
PART NO:	DC-025A						
UNIT :mm	SCALE:1:1						
REV:	A	PAGE:1/1					