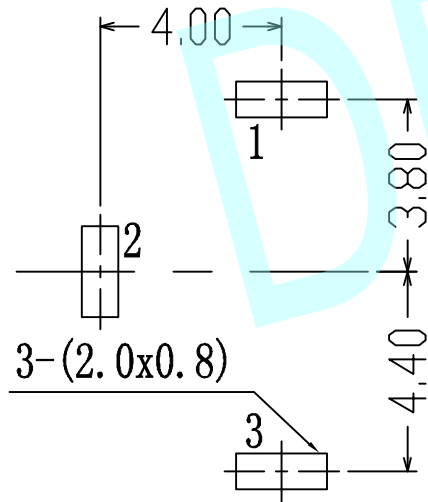
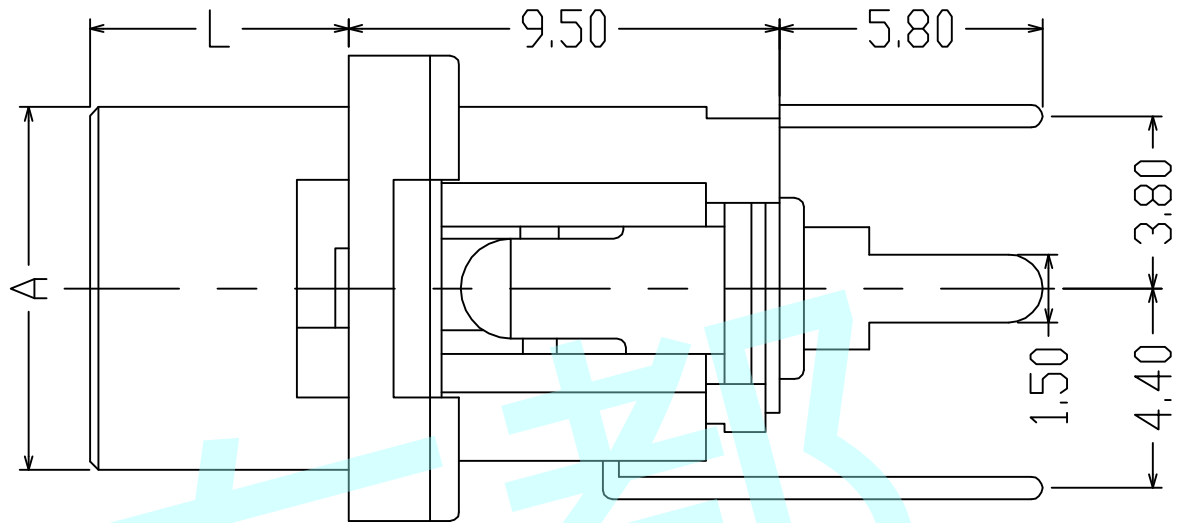
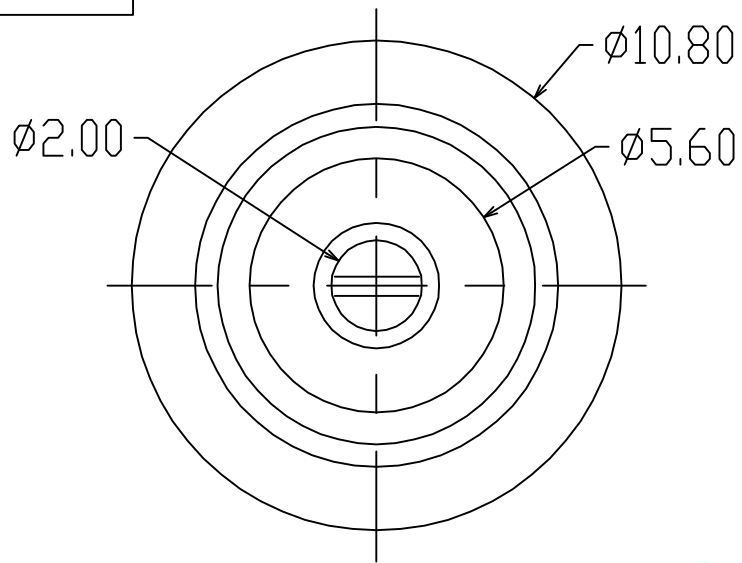


**ROHS**

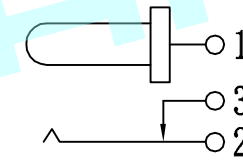


PCB Layout (Copper-Side View)

**NOTES:**

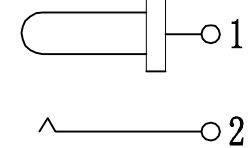
1. Rating: 0.5A 30V DC
2. Contact Resistance: 100mΩ Max
3. Operating temperature: -20°C ~ 70°C
4. Operating force: 3-20N
5. Operating Life: 5,000cycles

DC-026-A




CIRCUIT DIAGRAM

DC-026-B



CIRCUIT DIAGRAM

|     |       |            |       |
|-----|-------|------------|-------|
| PIN | L=5.7 | A=φ8.00    |       |
|     | L=5.2 | A=M8XP0.75 |       |
|     | φ2.00 | φ2.35      | φ2.50 |

|           |     |           |                         |        |   |     |
|-----------|-----|-----------|-------------------------|--------|---|-----|
| APPROVALS |     | DATE      | http://www.dongdudz.com |        |  <b>东都电子</b><br>DONGDU ELECTRONICS |     |
| DRAW:     | ZRD | 2017-12-6 | TOLERANCE:              | ANGLE: |   |     |
| CHECKED:  | *** | ***       | 30≥                     | ±0.30  |   | ±2° |
|           |     |           | 10~30                   | ±0.20  |   |     |
|           |     |           | 5~10                    | ±0.15  |   |     |
| APPOVALS: | *** | ***       | ≤5                      | ±0.10  | MODEL: DC POWER JACK  |     |
|           |     |           |                         |        | PART NO: DC-026   |     |
|           |     |           |                         |        | UNIT :mm SCALE:1:1  |     |
|           |     |           |                         |        | REV: A PAGE:1/1   |     |