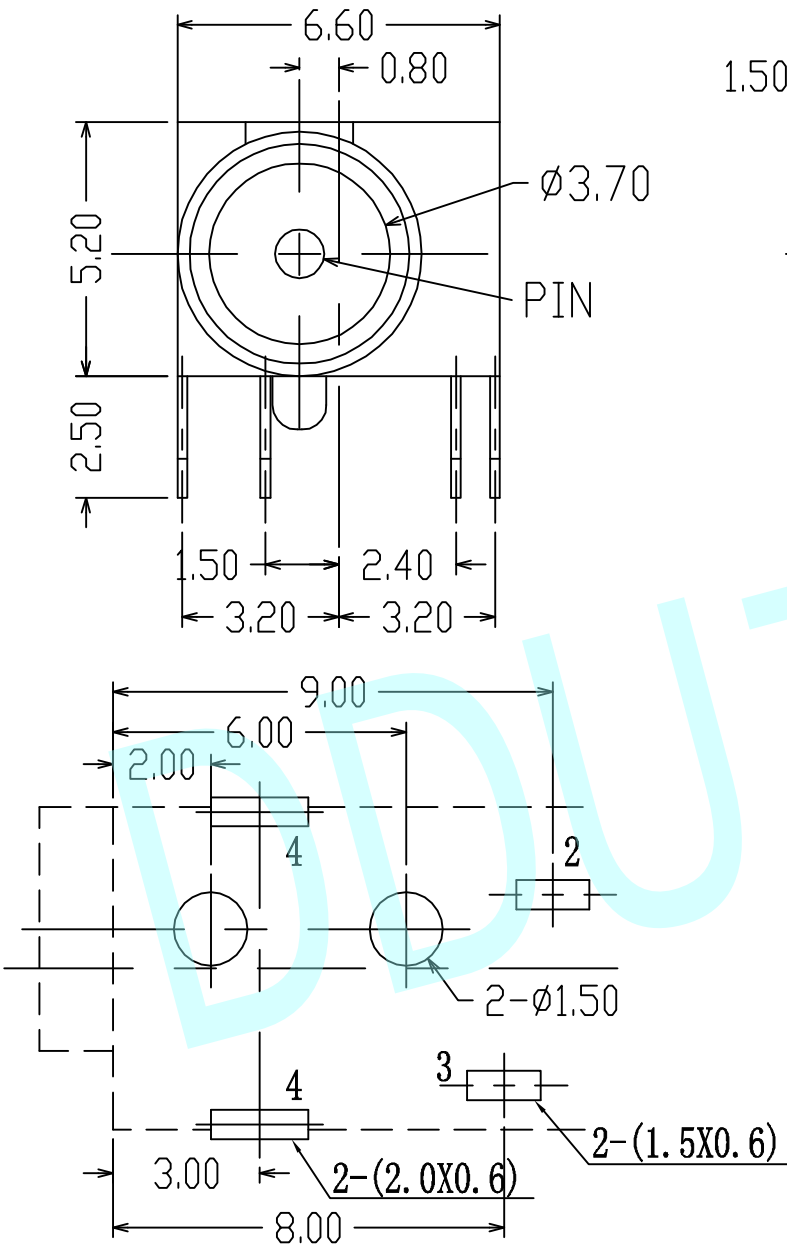
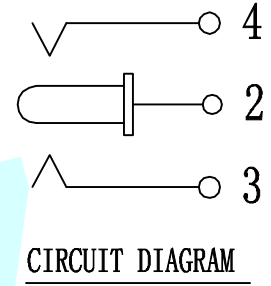
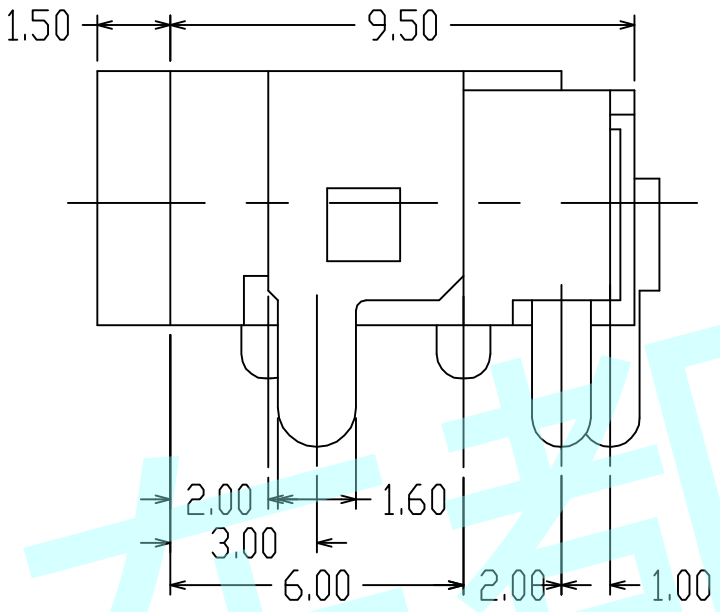


ROHS




PCB LAYOUT



NOTES:

- 1. Rating: 0.5A 30V DC
- 2. Contact resistance: $\leq 30m\Omega$
- 3. Insulation resistance: $\geq 100M\Omega$ (DC 250V)
- 4. Withstand voltage: 500V AC
- 5. Insertion and extraction force: 3-20N
- 6. life test: 5,000 cycles

		PIN		$\phi 1.00$		$\phi 1.30$		
APPROVALS		DATE		http://www.dongdudz.com		 东都电子 DONGDU ELECTRONICS		
DRAW:	ZRD	2017-12-6		TOLERANCE:	ANGLE:			
CHECKED:	***	***		30 \geq	± 0.30			$\pm 2^\circ$
APPOVALS:	***	***		10 \sim 30	± 0.20			
				5 \sim 10	± 0.15			
				≤ 5	± 0.10			
MODEL:	DC POWER JACK							
PART NO:	DC-031							
UNIT :mm	SCALE:1:1							
REV:	A							
						PAGE:1/1		