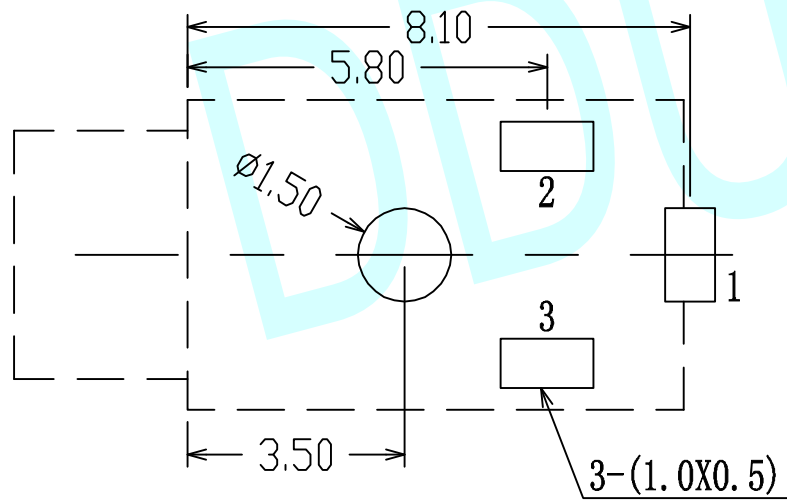
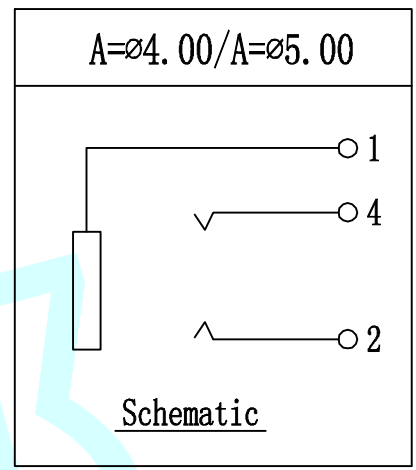
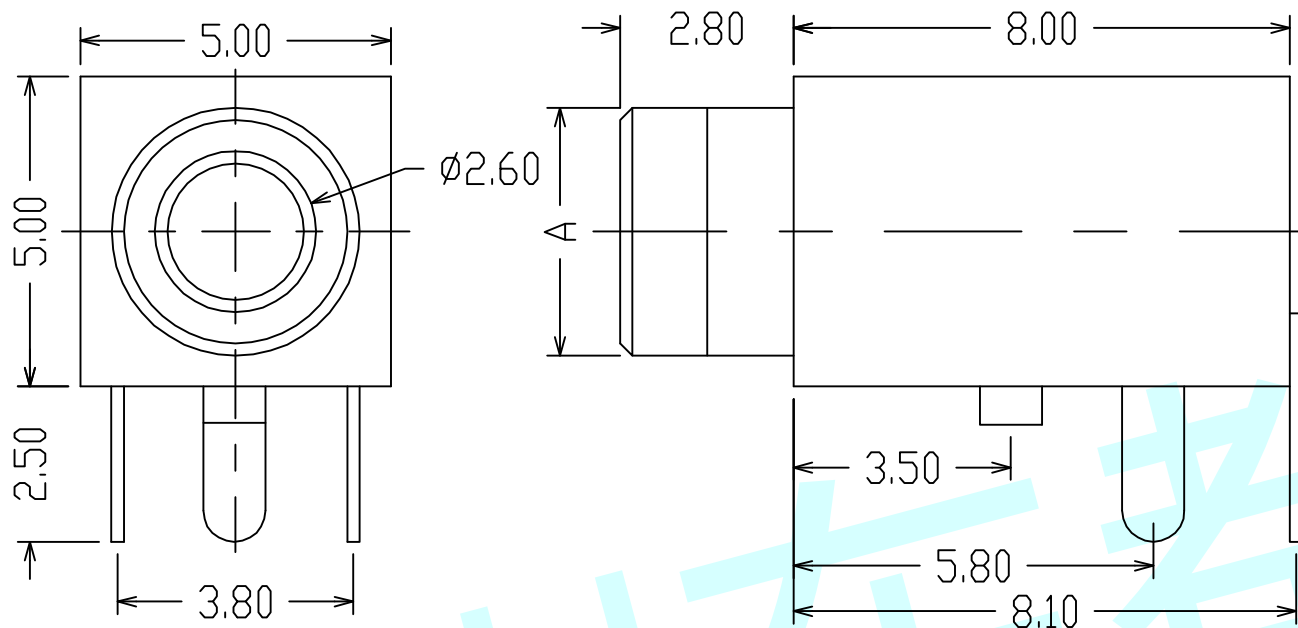



**ROHS**



PCB Layout (Copper-Sided View)

**NOTES:**

1. Rating :DC 0.5A 30V
2. Contact Resistance :100mΩ Max
3. Operating Temperature:-20℃~70℃
4. Operating Force:3-20N
5. Operating Life:5000 Cycles

APPROVALS		DATE	http://www.dongdudz.com		 <b>东都电子</b> DONGDU ELECTRONICS
DRAW:	ZRD	2017-12-6	TOLERANCE:	ANGLE:	
CHECKED:	***	****	30°	±0.30	
APPOVALS:	***	****	10°30'	±0.20	
			5°10'	±0.15	
			≤5	±0.10	±2° MODEL: PHONE JACKES PART NO: PJ-235 UNIT :mm SCALE:1:1 REV: A PAGE:1/1