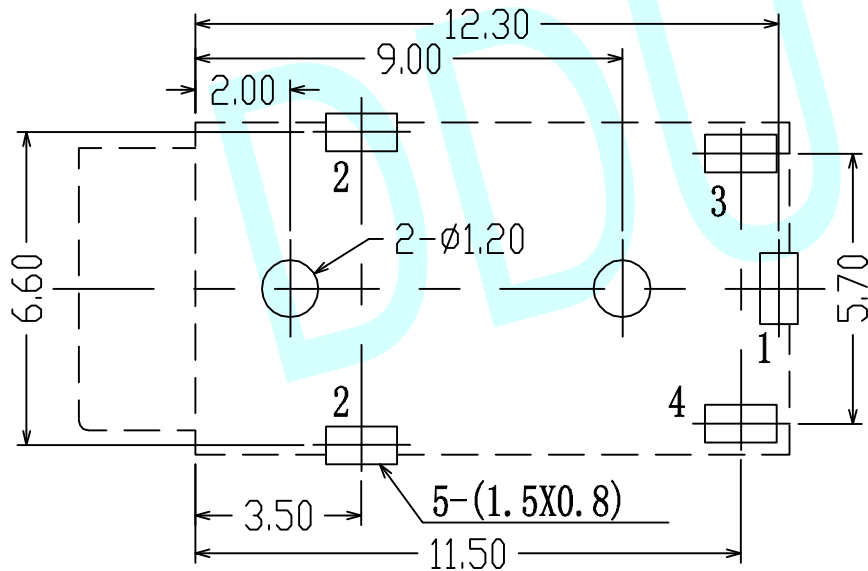
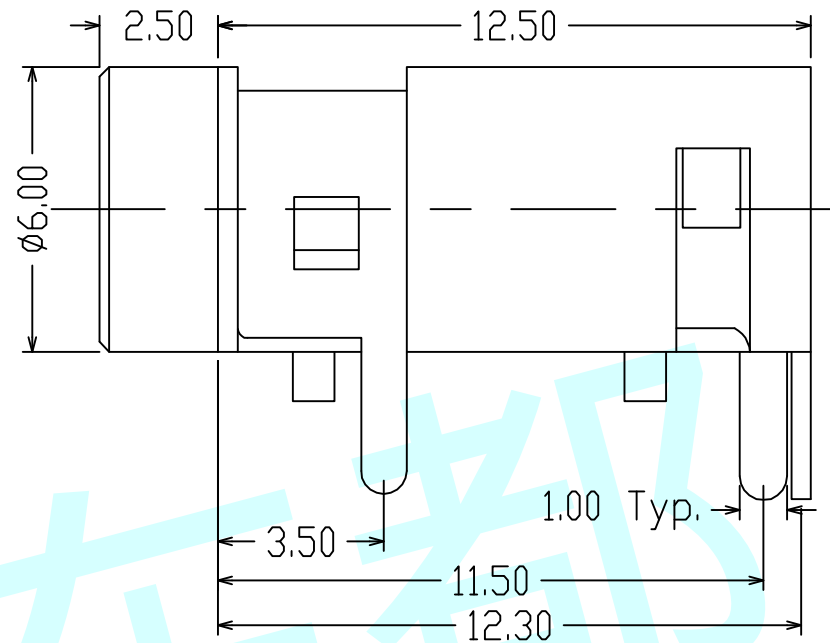
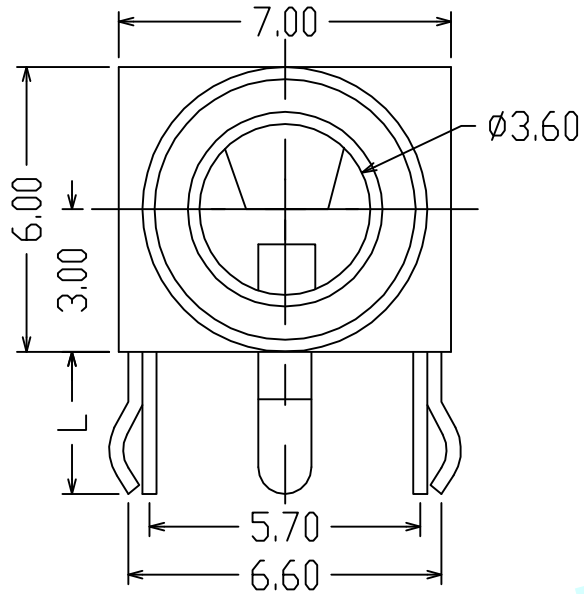


**ROHS**

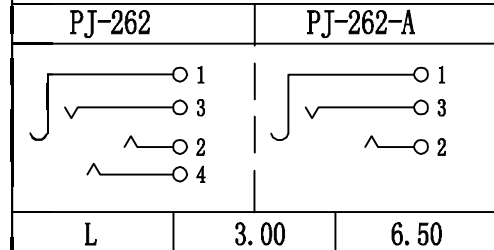


PCB Layout (Copper-Sided View)

**NOTES:**

1. Rating :0.5A 30V DC
2. Contact Resistance :100mΩ Max
3. Operating Temperature:-20°C~+70°C
4. Operating Force:3-20N
5. Operating Life:5,000 Cycles

**Schematic**



APPROVALS		DATE	http://www.dongdudz.com	
DRAW:	ZRD	2017-12-6	TOLERANCE:	ANGLE:
CHECKED:	***	****	30° ≥ ±0.30	±2°
APPOVALS:	***	****	10°~30 ±0.20	
			5°~10 ±0.15	
			≤5 ±0.10	
			<b>东都电子</b> DONGDU ELECTRONICS	
			MODEL: PHONE JACKES PART NO: PJ-262 UNIT :mm SCALE:1:1 REV: A PAGE:1/1	