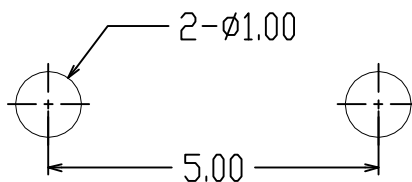
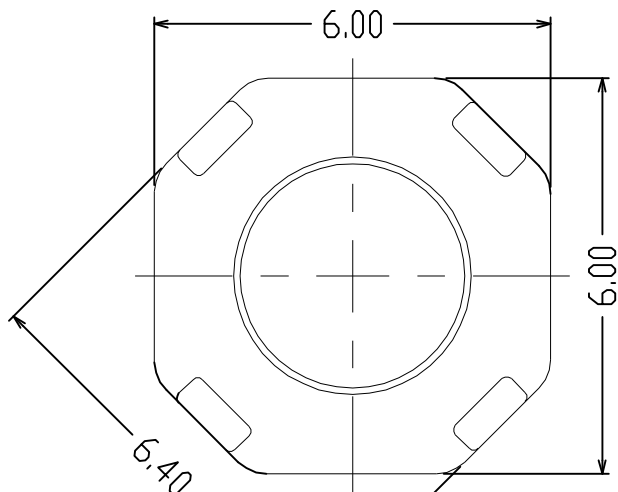
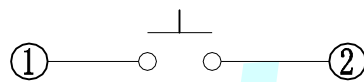


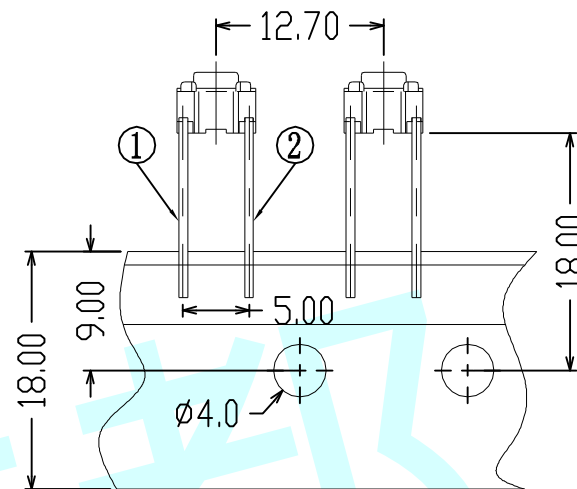
**ROHS**



PCB LAYOUT

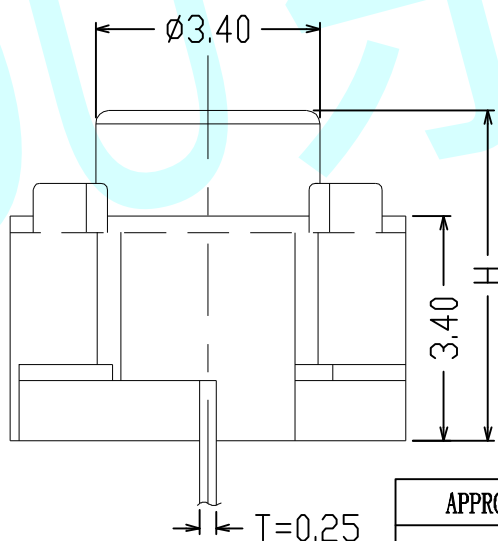
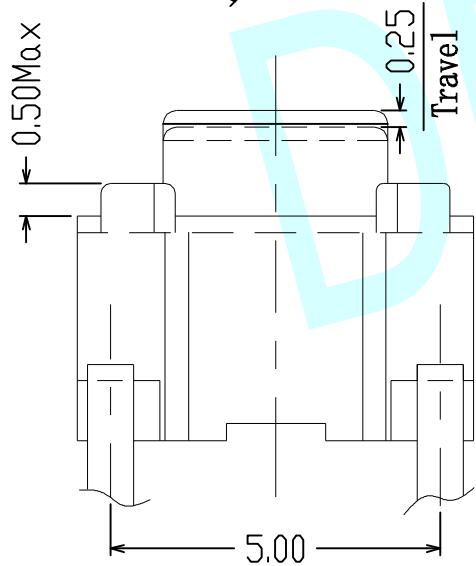


Circuit Diagram


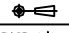


NOTES :

1. Rating :DC 12V 50mA.
2. Contact resistance:  $\leq 50m\Omega$
3. Insulation resistance:  $\geq 100M\Omega$
4. Travel:  $0.25 \pm 0.10mm$



	H	4.30	5.00
Stergth	90±30	130±30	180±30
	250±30	350±50	

APPROVALS		DATE	http://www.dongdudz.com	
DRAW:	ZRD	2017-12-6	TOLERANCE:	ANGLE:
CHECKED:	***	****	30° $\geq$ $\pm 0.30$	$\pm 2^\circ$
APPOVALS:	***	****	10°30 $\pm 0.20$	
			5°10 $\pm 0.15$	
			$\leq 5$ $\pm 0.10$	
 <b>® 东都电子</b> DONGDU ELECTRONICS		MODEL: TACT SWITCHES PART NO: DDU-1108DP UNIT :mm SCALE: 1:1  REV: A PAGE: 1/1		