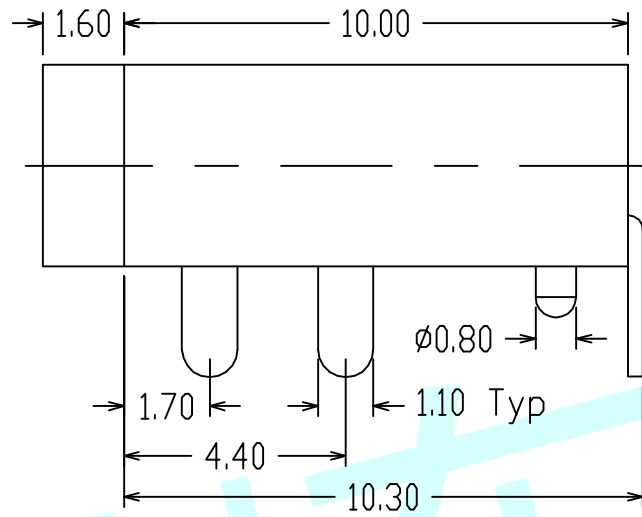
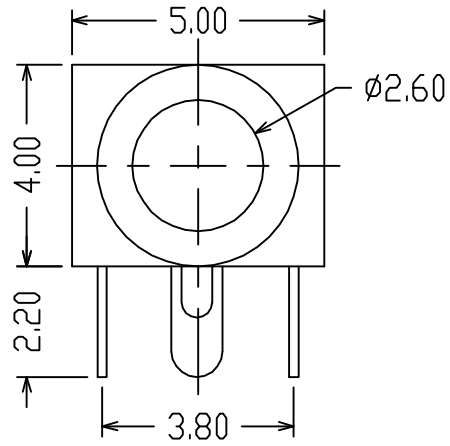
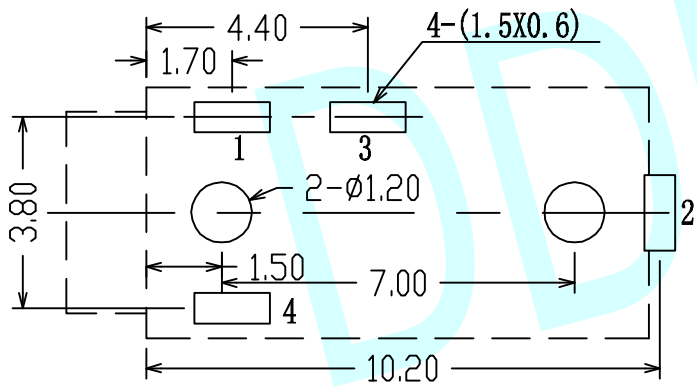


**ROHS**

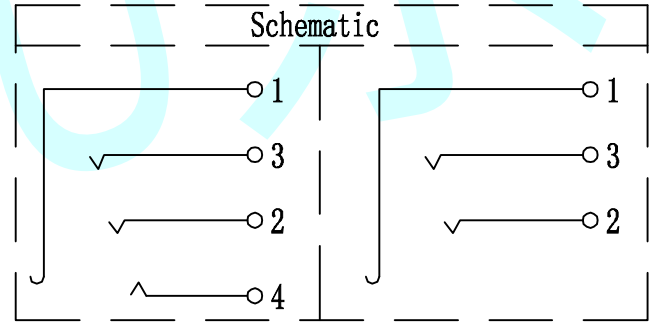


**NOTES:**

1. Rating :0.5A 30V DC
2. Contact Resistance :100mΩ Max
3. Operating Temperature:-20℃~70℃
4. Operating Force:3-20N
5. Operating Life:5,000 Cycles



PCB Layout (Copper-Sided View)



|           |     |           |                                     |              |
|-----------|-----|-----------|-------------------------------------|--------------|
| APPROVALS |     | DATE      | http://www.dongdudz.com             |              |
| DRAW:     | ZRD | 2017-12-6 | TOLERANCE:                          | ANGLE:       |
| CHECKED:  | *** | ****      | 30° ≥ ±0.30                         | ±2°          |
| APPOVALS: | *** | ****      | 10°~30 ±0.20                        |              |
|           |     |           | 5°~10 ±0.15                         |              |
|           |     |           | ≤5 ±0.10                            |              |
|           |     |           | <b>® 东都电子</b><br>DONGDU ELECTRONICS |              |
|           |     |           | MODEL:                              | PHONE JACKES |
|           |     |           | PART NO:                            | PJ-217       |
|           |     |           | UNIT :mm                            | SCALE:1:1    |
|           |     |           | REV:                                | A            |
|           |     |           |                                     | PAGE:1/1     |