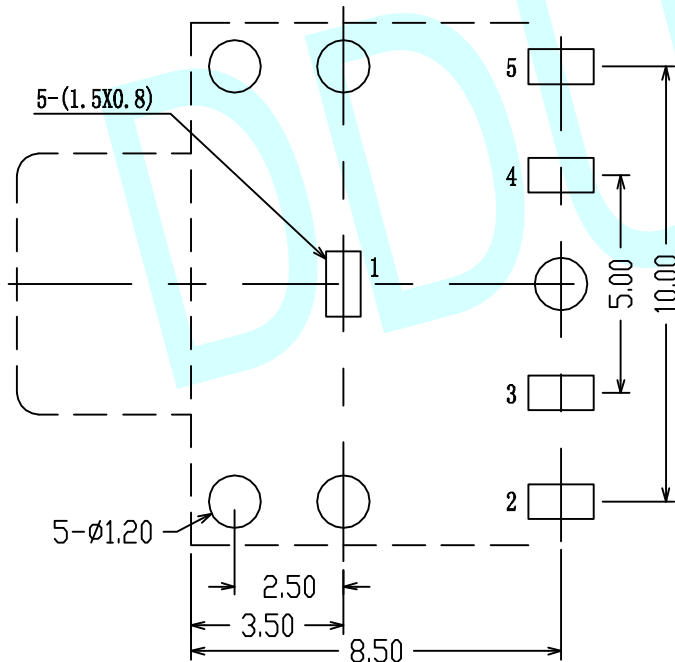
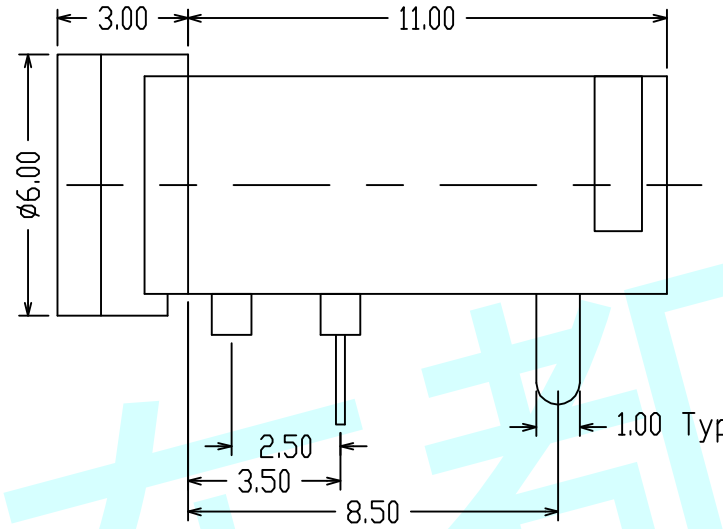
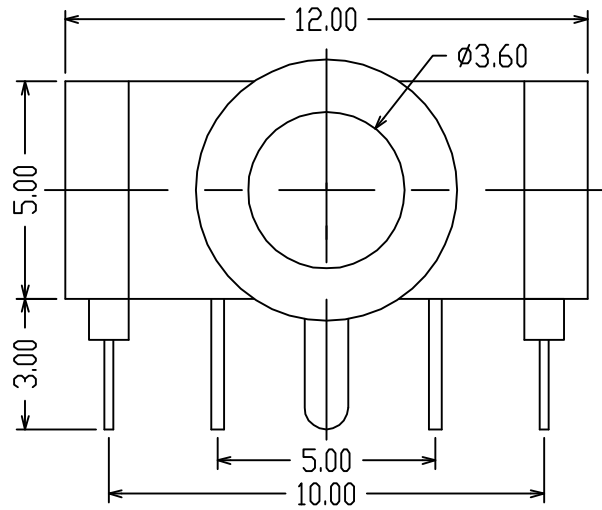
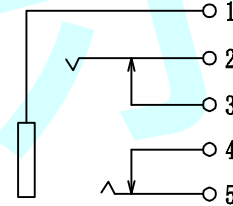


ROHS



PCB Layout (Copper-Sided View)




Schematic

NOTE:

1. Rating :DC 0.5A 30V
2. Contact Resistance :100mΩ Max
3. Operating Temperature:-20℃~70℃
4. Operating Force:3-20N
5. Operating Life:5000 Cycles

APPROVALS		DATE	http://www.dongdudz.com	
DRAW:	ZRD	2017-12-6	TOLERANCE:	ANGLE:
CHECKED:	***	****	30≥ ±0.30	±2°
APPOVALS:	***	****	10~30 ±0.20	
			5~10 ±0.15	
			≤5 ±0.10	

 ® 东都电子 DONGDU ELECTRONICS	
MODEL:	PHONE JACKES
PART NO:	PJ-221
UNIT :mm	SCALE:1:1
REV:	A
	PAGE:1/1