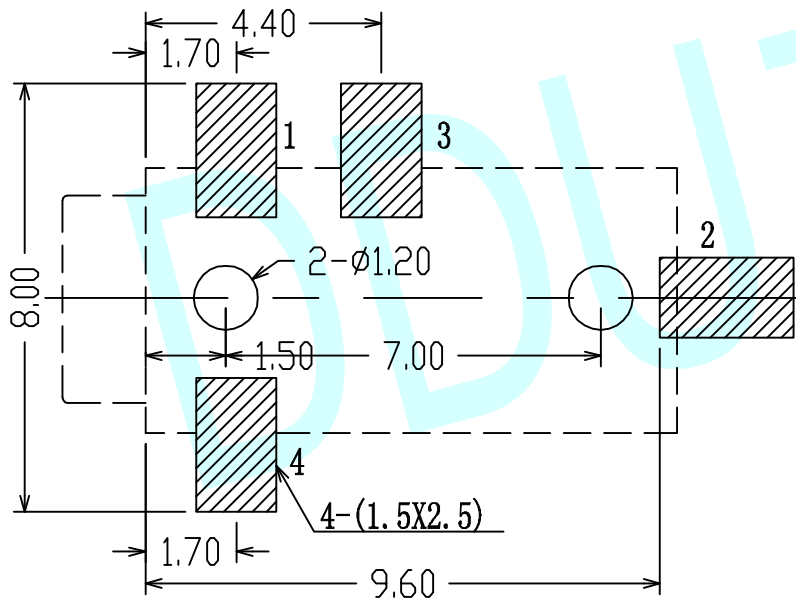
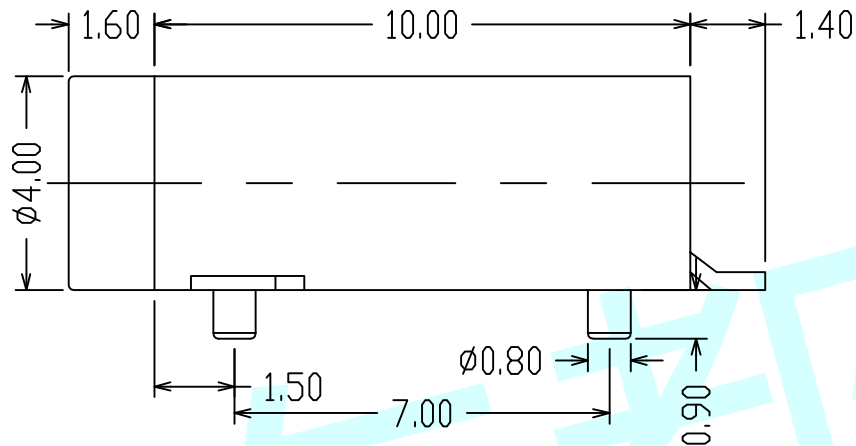
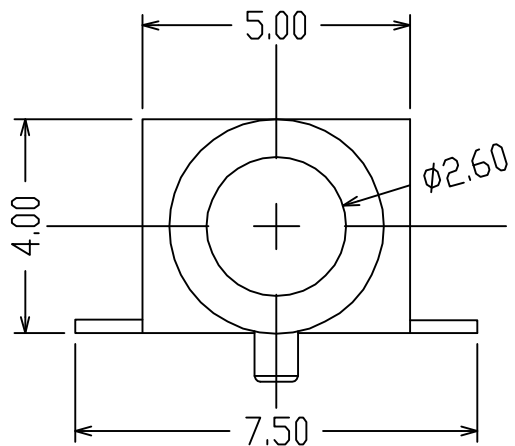
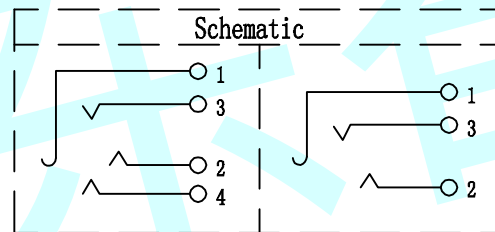


ROHS





PCB Layout (Copper-Sided View)



NOTES:

1. Rating :0.5A 30V DC
2. Contact Resistance :100mΩ Max
3. Operating Temperature:-20℃~+70℃
4. Operating Force:3-20N
5. Operating Life:5,000 Cycles

|           |             |   |   |        |
|-----------|-------------|---|---|--------|
| APPROVALS |             | DATE  | http://www.dongdudz.com   |        |
| DRAW:     | ZRD         | 2017-12-6   | TOLERANCE:  | ANGLE: |
| CHECKED:  | ***         | ****  | 30 <sup>≥</sup>   | ±2°    |
| APPOVALS: | ***         | ****  | 10°30   |        |
|           |             |   | 5°10  |        |
|           |             |   | ≤5  |        |
|           |             |   |  <b>® 东都电子</b><br>DONGDU ELECTRONICS |        |
| MODEL:    | PHONE JACKS |   |   |        |
| PART NO:  | PJ-226      |   |   |        |
| UNIT :mm  | SCALE:1:1   |  |   |        |
| REV:      | A           | PAGE:1/1  |   |        |