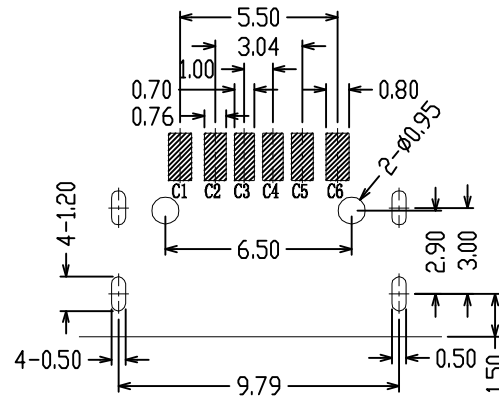
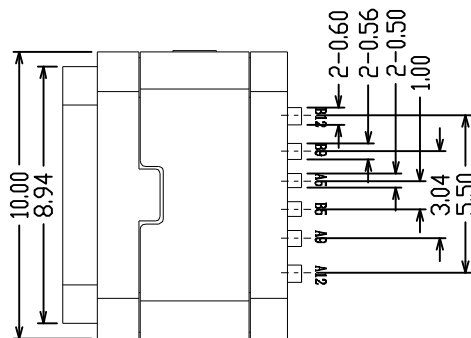
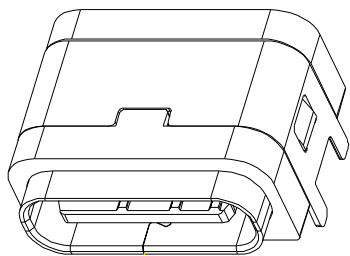


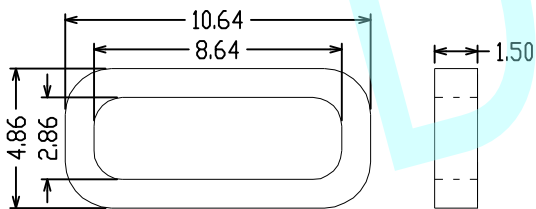
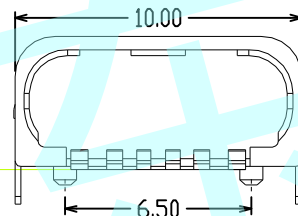
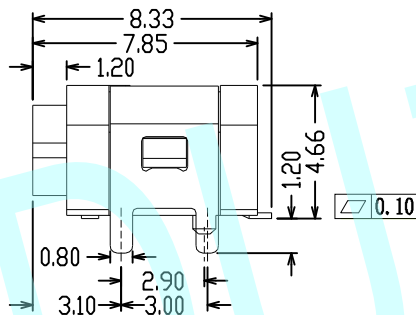
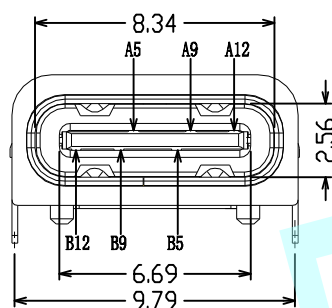
# ROHS



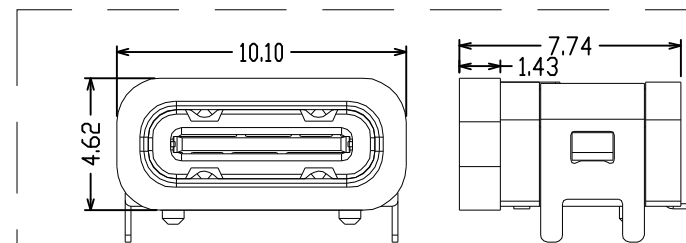
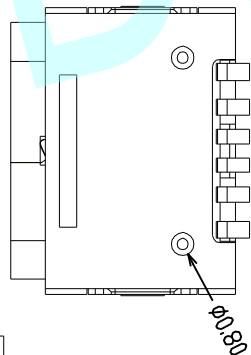
RECOMMENDED PCB LAYOUT  
TOLERANCE UNSPECIFIED  $\pm 0.05\text{mm}$

NOTES:

1. Specification:
  1. Current rating: 3.0A max
  2. Voltage: 100V AC
  3. Temperature range:  $-30^{\circ}\text{C} \sim +85^{\circ}\text{C}$
  4. Contact resistance:  $40\text{m}\Omega$  max
  5. Insulation resistance:  $100\text{M}\Omega$  min
  6. Insertion force:  $5\text{N} \sim 20\text{N}$
  7. Unmating force:  $8\text{N} \sim 20\text{N}$
  8. Durability: 10,000 cycles
  9. Water proofness: this product is based on IPX7




建议的胶圈尺寸



加防水圈示意图

A5	CC1	B12	GND
A9	VBUS	B9	VBUS
A12	GND	B5	CC2
Pin	Signal Name	Pin	Signal Name

APPROVALS		DATE	<a href="http://www.dongdudz.com">http://www.dongdudz.com</a>		 <b>东都电子</b> DONGDU ELECTRONICS
DRAW:	ZRD	2017-12-6	TOLERANCE:	ANGLE:	
CHECKED:	***	***	$30^{\circ}$	$\pm 0.30$	
APPOVALS:	***	***	$10^{\circ}30'$	$\pm 0.20$	
			$5^{\circ}10'$	$\pm 0.15$	
			$\leq 5$	$\pm 0.10$	±2° MODEL: USB CONNECTOR PART NO: TYPE-C-6P-MF UNIT :mm SCALE:1:1 REV: A PAGE:1/1