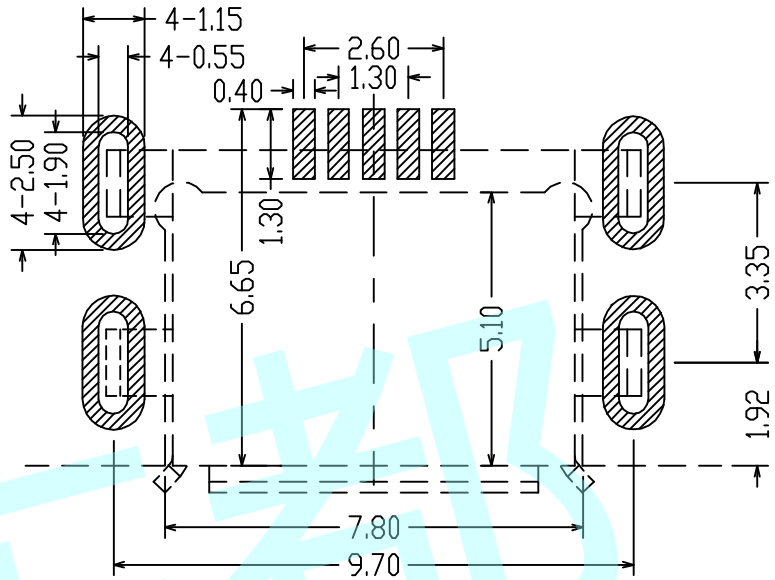
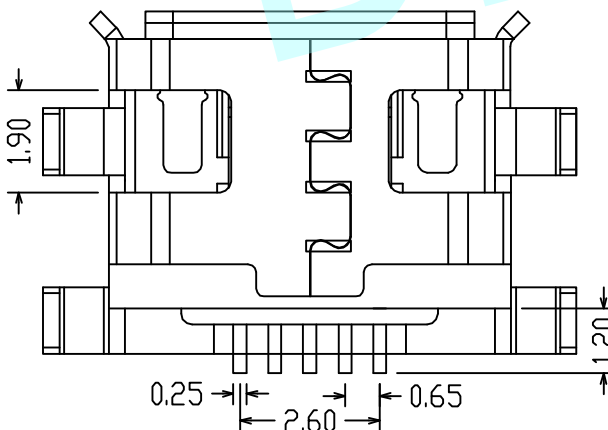
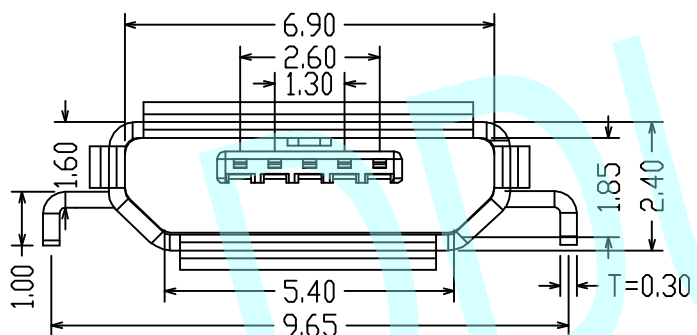
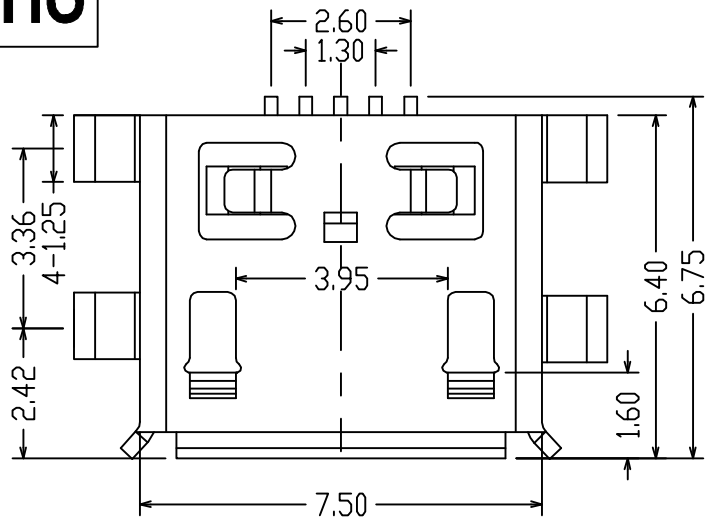
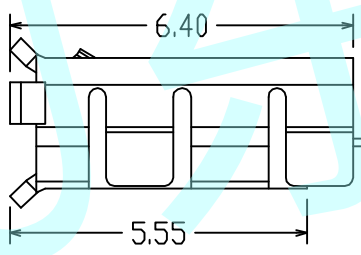


ROHS




Recommended PCB Layout



NOTES:

1. Rating:DC 30V 1A
2. Mechanical Life:10,000 Cycles
3. Packaging:1000PCS/Reel

APPROVALS		DATE	http://www.dongdudz.com	
DRAW:	ZRD	2017-12-6	TOLERANCE:	ANGLE:
CHECKED:	***	***	30°	±0.30
APPOVALS:	***	***	10°30'	±0.20
			5°10'	±0.15
			≤5	±0.10

 东都电子 DONGDU ELECTRONICS	
MODEL:	USB CONNECTOR
PART NO:	MICRO USB-M-14
UNIT :mm	SCALE:1:1
REV:	A